



# The CLS Coupé

Effective from 01st March 2021

Mercedes-Benz



# Welcome

At Mercedes-Benz we appreciate the importance of detail. Over the following pages you'll find model prices and a breakdown of standard and optional equipment, as well as details of the attractive finance offers and benefits that are available to every Mercedes-Benz driver.

We have highlighted some of the best styling features both inside and out, some of the new technology features and some body styling options which all combine to give you a unique driving experience. To experience a full listing of what is available; please speak directly to your local Mercedes-Benz Dealer.

Of course, some things have to be experienced to be truly appreciated, such as the qualities that set a Mercedes-Benz apart, which is why we'd like to invite you for a test drive at your local Mercedes-Benz Dealership. Discover the location and the contact details of your local Mercedes-Benz Dealership at **[www.mercedes-benz.ie](http://www.mercedes-benz.ie)**

# Price List

## Diesel

Model Description	Wheel size	CO2	VRT Rate	Road Tax	CC	BHP	Price*
CLS 220D Coupé	18"	141-145	19.50%	€270	1950	194	€66,730
CLS 220D Coupé AMG Line	19"	146-150	21.00%	€270	1950	194	€74,124
CLS 400D 4MATIC Coupé	18"	171-190	31.00%	€600	2925	340	€88,720
CLS 400D 4MATIC Coupé AMG Line	19"	171-190	31.00%	€600	2925	340	€95,224

\*Prices applicable to all models registered from 01st March 2021. Subject to availability. Terms & Conditions apply. Prices quoted do not include dealer and delivery related charges.

# Price List

## Petrol

Model Description	Wheel size	CO2	VRT Rate	Road Tax	CC	BHP	Price*
CLS 350 Coupé (Petrol / Electric Hybrid)	18"	171-190	31.00%	€600	1991	299	€80,675
CLS 350 Coupé AMG Line (Petrol / Electric Hybrid)	19"	171-190	31.00%	€600	1991	299	€87,734
CLS 450 4MATIC Coupé (Petrol / Electric Hybrid)	18"	171-190	31.00%	€600	2999	367	€89,925
CLS 450 4MATIC Coupé AMG Line (Petrol / Electric Hybrid)	19"	191 +	37.00%	€790	2999	367	€104,494
AMG CLS 53 4MATIC+ Coupé (Petrol / Electric Hybrid)	19"	191 +	37.00%	€1,250	2999	435	€121,600

\*Prices applicable to all models registered from 01st March 2021. Subject to availability. Terms & Conditions apply. Prices quoted do not include dealer and delivery related charges.

# Star Finance PCP

You said you'd drive a Mercedes-Benz one day. One day is now with Star Finance PCP.

Speak to your dealer to discover just how easy it can be to upgrade from the ordinary to the extraordinary.

Our new Personal Contract Plan guarantees the minimum future value (GMFV) of your Mercedes-Benz.

Select your Mercedes-Benz model, pay your deposit and in 37 months either:

Trade-in for a brand new model

Acquire your model by paying the outstanding balance

Return the car and walk away (T&C's apply)

## Mercedes-Benz CLS Coupe Star Finance PCP Example (includes delivery and a 3 year service plan)

Purchase Price †:	€68,030.00
Deposit/Trade in:	€20,409.00
Finance Amount:	€47,621.00
36 Monthly Payments of:	€824.62
GMFV <sup>††</sup> (Optional Final Payment)	€23,130.20
Term:	37 months
Total Cost of Credit:	€6,083.63
APR %*	4.90%

## Terms and Conditions.

† Includes delivery & related charges. Model is shown for illustrative purposes only. †† The Guaranteed Minimum Future Value (GMFV) is payable if you renew or retain the vehicle at the end of the agreement. Further charges may be applied by your Mercedes-Benz Dealer subject to kilometre limits/condition of the vehicle.\*Lending criteria and conditions apply. Fixed APR (Annual Percentage Rate) 4.9% which is inclusive of a documentation fee of €63.49. To qualify for this Finance Offer; a minimum deposit of 10% is required. Rate quoted is correct as at 01st March 2021 and subject to change. Offer available on all new CLS 300 d A/T models registered from 01st March to 31st March 2021 at authorised dealers. This is a Consumer Hire Purchase agreement provided by Bank of Ireland t/a Bank of Ireland Finance. CO2 range: 133 -124 g/km and 5.1 - 4.7 l/100km

The CLS Coupé

# Highlights.





## Design.

The CLS Coupé combines unique design with an extensive standard equipment package.

## Comfort.

The modern mix of high-quality materials, colour, and digital displays creates an unmistakable atmosphere on board the CLS Coupé.



## Safety.

The CLS Coupé comes with the latest generation of Mercedes-Benz driving assistance systems providing cooperative support to drivers.

## Connectivity.

In the fully digital cockpit, the driver is able to freely configure the information content according to need and the driving situation.

The CLS Coupé

---

# Lines.





# Choose your CLS Coupé



Standard  
Equipment

18" light-alloy wheels, LED High Performance headlamps, MBUX Navigation Plus, Rear View Camera, Wireless Charging System, Digital Radio, Ambient lighting incl. illuminated air vents...



AMG Line

19" AMG light-alloy wheels, AMG bodystyling, AMG spoiler lip on the boot lid, AMG Line brakes, AMG floor mats with "AMG" lettering, Privacy Glass...



# Standard Equipment

---

- 18" light-alloy aero wheels
- LED High Performance headlamps
- Adaptive Highbeam Assist
- MBUX Navigation Plus
- Rear View Camera
- Wireless Charging System
- Digital Radio
- Ambient lighting incl. illuminated air vents
- Traffic Sign Assist
- Folding rear seat backrests
- Stowage Space package
- Velour floor mats
- Illuminated door sill panels
- Open-pored grey ash wood trim and centre console

Standard

AMG Line

Overview of Lines



The CLS Coupé including diamond grille, typical of Mercedes-Benz coupés with a single louvre



PBF - MBUX Navigation Plus with navigation services



897 - Wireless Charging System



632 - LED High Performance headlamps



218 - Rear View Camera

[Standard](#)[AMG Line](#)[Overview of Lines](#)

# Wheels



83R - 18" 5-twin-spoke light-alloy wheels - **Standard**



11R - 19" 5-twin-spoke light alloy wheels with intermediate spokes - **Optional**



R98 - 20" 5-twin-spoke light alloy wheels  
**Optional**



# AMG Line

---

Additional to Standard Equipment:

- 19" AMG light-alloy wheels
- AMG bodystyling
- AMG spoiler lip on the boot lid
- AMG Line brakes
- AMG floor mats with "AMG" lettering
- AMG brushed stainless steel sports pedals
- Braking system with larger discs on the front axle
- Diamond radiator grille with pins in chrome
- Multifunction sports steering wheel
- Privacy Glass

[Standard](#)[AMG Line](#)[Overview of Lines](#)

The CLS Coupé including diamond radiator grille with chrome pins and AMG front apron with striking air intakes



AMG bodystyling with trim elements in chrome plus side sill panels



U95 - AMG spoiler lip on the boot lid in vehicle colour



L5C - Multifunction sports steering wheel in nappa leather with galvanised shift paddles and flattened bottom section



U26 - AMG floor mats in black with "AMG" lettering

[Standard](#)[AMG Line](#)[Overview of Lines](#)

# Wheels



RRE - 19" AMG 5-twin-spoke light-alloy wheels - **Standard**



RVO - 20" AMG multi-spoke  
light-alloy wheels  
**Optional**



RVP - 20" AMG multi-spoke  
light-alloy wheels  
**Optional**



The CLS Coupé

Mercedes-AMG.







## Driving performance.

The Mercedes-AMG CLS 53 4MATIC+ Coupé is the latest dynamic high-performance model to be added to the CLS family.

## AMG performance interior.

The synthesis of exclusivity and sportiness is underscored by the sports seats with AMG-specific seat upholstery layout and AMG badge as well as red seat belts.



## AMG DYNAMIC SELECT.

With the AMG DYNAMIC SELECT drive modes you can tailor the characteristics of your AMG even more to suit personal preferences at the press of a button.

## Six-cylinder in-line engine with EQ Boost.

The new petrol engine with EQ Boost starter-alternator and dynamic AMG Performance 4MATIC+ all-wheel drive with fully variable torque distribution help to ensure a spectacular driving experience.

# CLS 53 4MATIC+

435 hp / **320** kW

- 19" AMG light-alloy wheels
- AMG-specific front and rear apron
- AMG spoiler lip on the boot lid
- AMG-specific radiator grille with twin louvres
- AMG SPEEDSHIFT TCT 9G automatic transmission
- AMG Performance 4MATIC+
- AMG RIDE CONTROL+ suspension
- AMG Performance exhaust system
- AMG DYNAMIC SELECT
- AMG Track Pace



## CLS 53 4MATIC+



The Mercedes-AMG CLS 53 4MATIC+ including AMG-specific radiator grille with twin louvers and AMG-specific front and rear apron



P29 - Mercedes-AMG interior



AMG Performance 4MATIC+ with variable power distribution between front and rear axle



U78 - AMG Performance exhaust system, selectable

CLS 53 4MATIC+



## Wheels



RRF - 19" AMG 5-twin-spoke light-alloy wheels – **Standard**



RTY - 20" AMG 5-twin-spoke light-alloy wheels  
**Optional**



RTZ - 20" AMG 5-twin-spoke light-alloy wheels  
**Optional**

# Mercedes-AMG Standard Equipment

## EXTERIOR

Mercedes star on the radiator grille

AMG-specific radiator grille with twin louvres in silver chrome and "AMG" lettering

"Mercedes-Benz" laurel wreath badge on the bonnet

Powerdomes on the bonnet

AMG front apron with front splitter in silver chrome and air intakes with black flics

"TURBO 4MATIC+" lettering on the front wings

Beltline trim strip and window weatherstrip in high-gloss black

Exterior mirror housings in high-gloss black (or painted in vehicle colour icw obsidian black metallic)

AMG side sill panels

Heat-insulating dark-tinted glass (840)

AMG rear apron in diffuser-look finish

AMG exhaust system with two round, chrome-plated twin tailpipe trim elements

AMG spoiler lip on the boot lid (U47) in vehicle colour

AMG brake system with perforated front brake discs and front brake callipers in silver with "AMG" lettering

19" AMG light-alloy wheels (RRF)

## INTERIOR

AMG seats with optimised lateral support, AMG-specific seat upholstery layout and "AMG" badge

Seat comfort package with electric and manual adjustment options for an ergonomic seat position

Upholstery in AMG nappa leather / Black with grey topstitching

AMG Performance steering wheel in nappa leather with galvanised shift paddles, flattened bottom section and "AMG" lettering (L6J)

AMG instrument cluster with speedometer scale up to 280 km/h

AMG-specific display styles, start-up screen and "AMG Performance Media" menu

Open-pored grey ash wood trim (H32)

# Mercedes-AMG Standard Equipment

## INTERIOR

Centre console in grey open-pored ash wood (764)

Upper part of dashboard, beltlines and door centre panels in ARTICO man-made leather with red topstitching

*designo* seat belts in red (Y05) [can be deselected]

Door pins in chrome

Roof liner in black fabric (51U)

AMG floor mats (U26) with "AMG" lettering

AMG brushed stainless steel sports pedals with black rubber studs

Interior light package (876)

Ambient lighting incl. illuminated air vents (891) with 64 colours and 3 light zones

Spectacles compartment in the overhead control panel (B18)

Folding rear seat backrests (287) [40/20/40]

Stowage space package (30P)

Illuminated door sill panels (U45) with "AMG" lettering and exchangeable cover

## TECHNICAL EQUIPMENT

Active Brake Assist (258)

Active Lane Keeping Assist (243)

Speed Limit Assist (504)

Kneebag (294) for driver

Mercedes-Benz emergency call system (351)

Tyre pressure monitoring system (475)

TIREFIT (B51) with tyre inflation compressor

i-Size child seat attachment in the rear (8U8)

EQ Boost starter-alternator (B01)

# Mercedes-AMG Standard Equipment

## TECHNICAL EQUIPMENT

AMG SPEEDSHIFT TCT 9G (421) automatic transmission

AMG Performance 4MATIC+ with variable power distribution between front and rear axle

AMG RIDE CONTROL+ (489) multi-chamber air suspension

AMG Performance exhaust system (U78) selectable

KEYLESS-GO starting function

AMG DYNAMIC SELECT (B59) with a choice of driving modes: Comfort, Sport, Sport+, Individual

Fuel tank with 80l capacity (915)

THERMATIC automatic climate control (580) with 2 climate zones

Communications module (LTE) for the use of Mercedes me connect services (362)

MBUX multimedia system (548) fully digital cockpit with two 10,25" colour displays and touch function for the central display

Extended MBUX functions (355) with natural speech recognition activated via "Hey Mercedes"

Navigation connectivity package (PBF) with extended navigation services

Remote Services Plus (33U) with vehicle setup and monitoring via Mercedes me connect app

Pre-installation for car sharing (20U) via Mercedes me Car Sharing app

AMG Track Pace (256)

Touchpad (446) on the centre console

Traffic Sign Assist (513)

Wireless charging system (897)

Digital radio (537)

LED High Performance headlamps (632)

Adaptive Highbeam Assist (608)

Rear view camera (218)

Heated front seats (873)

The CLS Coupé

# Model Prices.





# Choose an Engine



Diesel



Petrol

The CLS Coupé

# Optional Equipment.



# Premium Package

---

From **€5,444**

**1** U19 - MBUX augmented reality for navigation.

**2** P17 - KEYLESS-GO comfort package.

**3** P35 - MULTIBEAM LED.

**4** P47 - Parking package incl. 360° camera.



# Premium Plus Package

From **€10,139**

Premium Package Content



- 1** 414 - Sliding sunroof.
- 2** 275 - Memory package.
- 3** 810 - Burmester® surround sound system.
- 4** PBP - ENERGIZING package.



# AMG Line Night Package

From

€1,112

- 1 AMG front apron with front splitter in high-gloss black
- 2 Beltline trim strip in high-gloss black
- 3 Diamond radiator grille with integral Mercedes star and louvre in silver chrome with insert in high-gloss black
- 4 Front bumper with trim in high-gloss black
- 5 Heat-insulating dark-tinted glass (840) from the Bi-pillar (can be deselected)
- 6 Outside mirror housings in high-gloss black or painted in the vehicle colour in conjunction with paintwork in obsidian black metallic
- 7 Trim strip in the rear bumper in high-gloss black
- 8 Window weatherstrip in high-gloss black
- 9 50.8 cm (20 inch) AMG multi-spoke light-alloy wheels painted in black with a high-sheen finish



# Optional Equipment

From\*

€3,674

€2,127

€2,861

€3,828

€1,916

€502

€755

€1,683

€2,175

€773

- Air Body Control
- Climatised front seats
- Driving Assistance package (Requires Premium or Premium Plus package)
- Driving Assistance package Plus (Requires Premium or Premium Plus package)
- Head-up display
- Heated multifunction steering wheel (Requires Premium or Premium Plus package)
- Heat-insulating dark-tinted glass
- Metallic paint
- Sliding sunroof
- Smartphone Integration



\* Price subject to model specification

The CLS Coupé

---

# Technical Data.



# Technical data

Displacement (cc)
Rated output <sup>1</sup> (kW [hp] at rpm)
Acceleration from 0 to 100 km/h (s)
Top speed (km/h)
Fuel consumption <sup>4</sup> (l/100 km)
Urban
Extra-urban
Combined
CO <sub>2</sub> emissions <sup>4</sup> , combined (g/km)
Emissions class <sup>5</sup> /efficiency class <sup>6</sup>

## Diesel engines

CLS 220 d	CLS 300 d	CLS 350 d 4MATIC	CLS 400 d 4MATIC
1950	1950	2925	2925
143 (194)/3800	180 (245)/4200	210 (286)/4600	250 (340)/4400
7.5	6.4	5.7	5.0
237 <sup>3</sup>	250 <sup>3</sup>	250 <sup>3</sup>	250 <sup>3</sup>
6.1-5.5	6.6-6.0	6.6-6.4	7.1-6.8
4.6-4.2	4.8-4.4	5.1-4.8	5.4-5.1
5.1-4.7	5.4-5.0	5.6-5.5	6.0-5.7
133-124	142-132	148-144	158-152
Euro 6d-TEMP-EVAP-ISC	Euro 6d-TEMP-EVAP-ISC	Euro 6d-TEMP-EVAP-ISC	Euro 6d-TEMP-EVAP-ISC

Displacement (cc)
Rated output <sup>1</sup> (kW [hp] at rpm)
Acceleration from 0 to 100 km/h (s)
Top speed (km/h)
Fuel consumption <sup>4</sup> (l/100 km)
Urban
Extra-urban
Combined
CO <sub>2</sub> emissions <sup>4</sup> , combined (g/km)
Emissions class <sup>5</sup> /efficiency class <sup>6</sup>

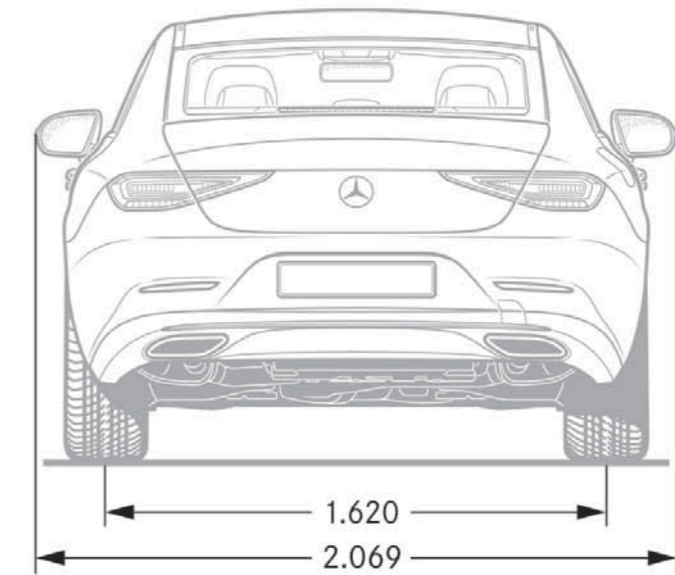
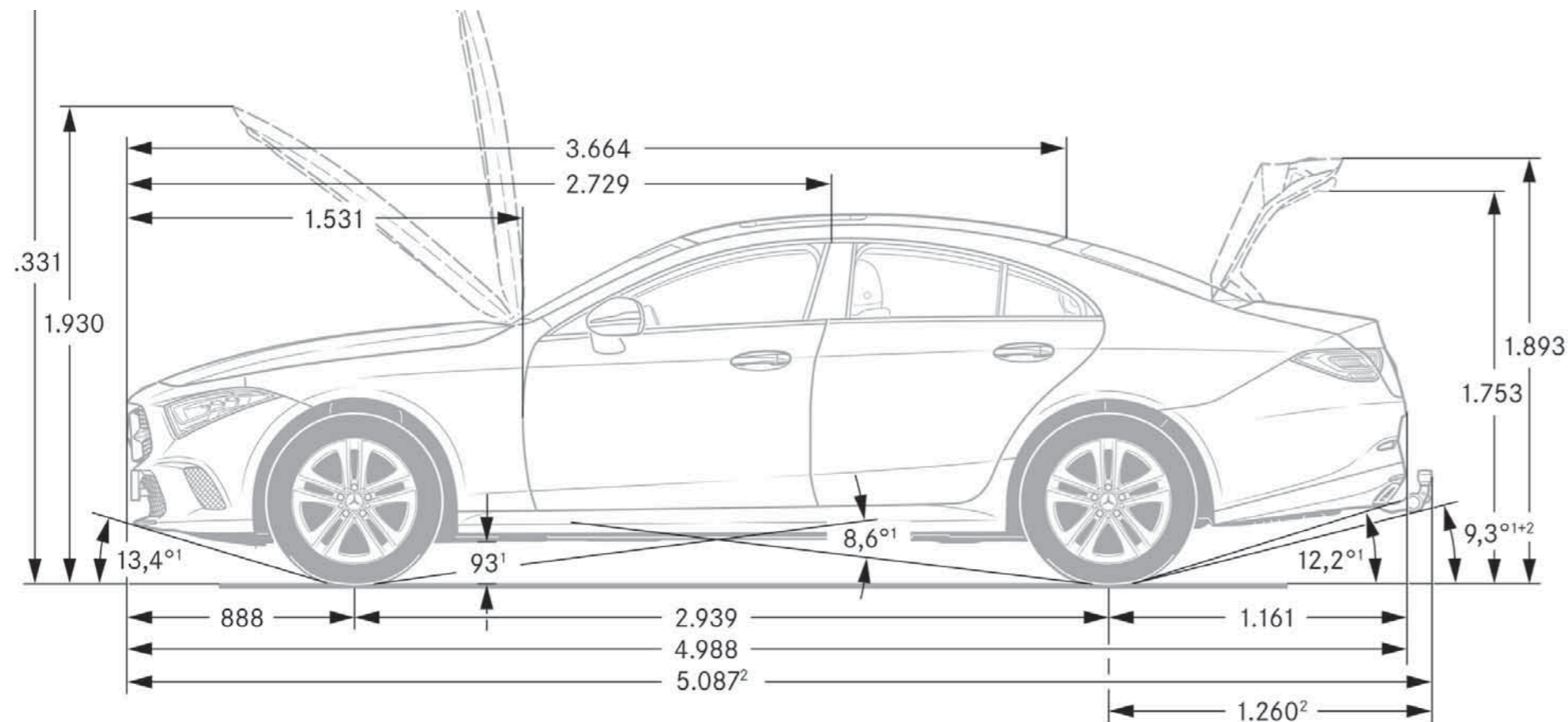
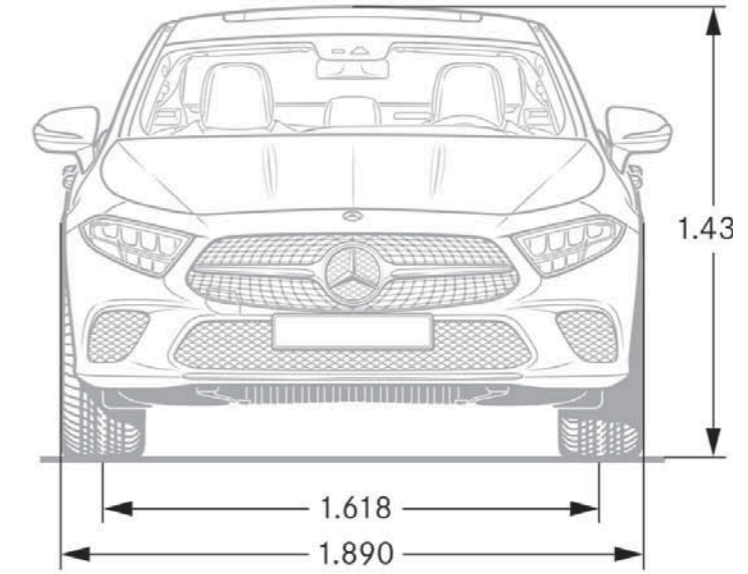
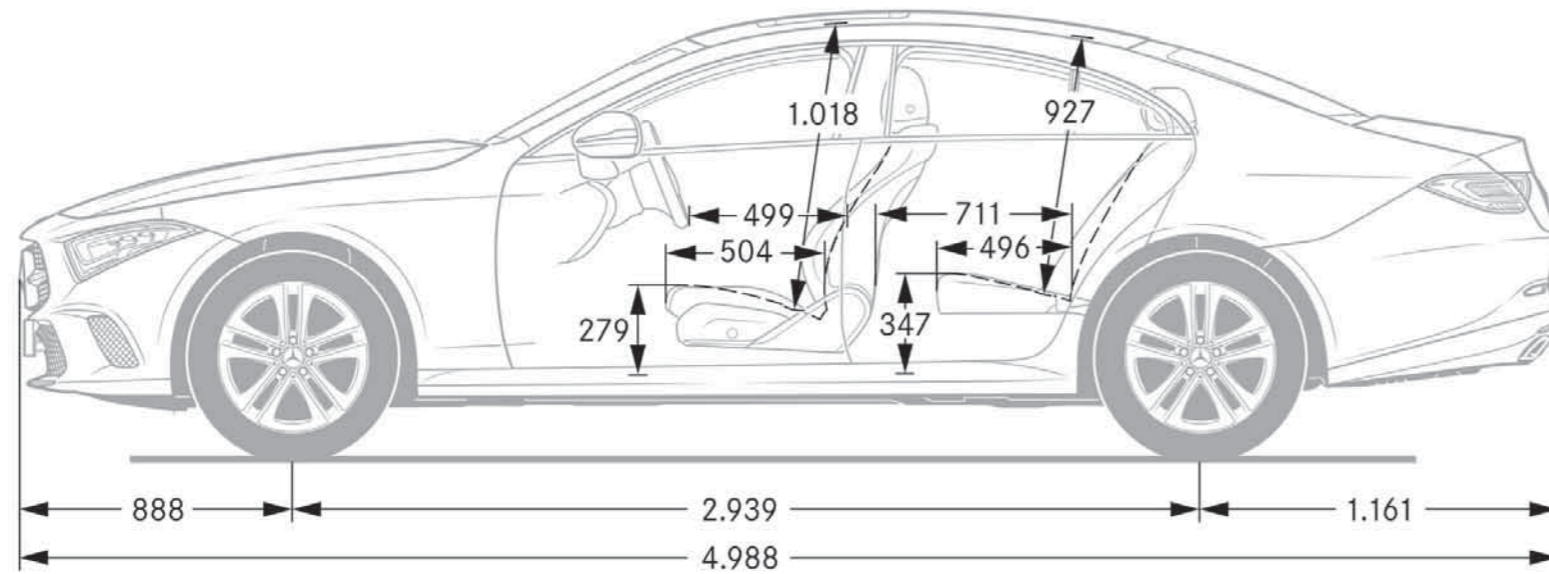
## Petrol engines

CLS350	CLS 450 4MATIC	CLS53 4MATIC
1991	2999	2999
220 (299)/5800-6100	270 (367)/5500-6100	320 (435)/6100
5.9	4.8	4.5
250 <sup>3</sup>	250 <sup>3</sup>	250 <sup>3</sup>
9.7-8.9	11-10.4	11.5-11.4
6.2-5.4	6.5-6.0	7.3-7.1
7.5-6.7	8.2-7.7	8.8-8.7
171-153	187-175	202-199
Euro 6d-TEMP-EVAP-ISC	Euro 6d-TEMP-EVAP-ISC	Euro 6d-TEMP-EVAP-ISC

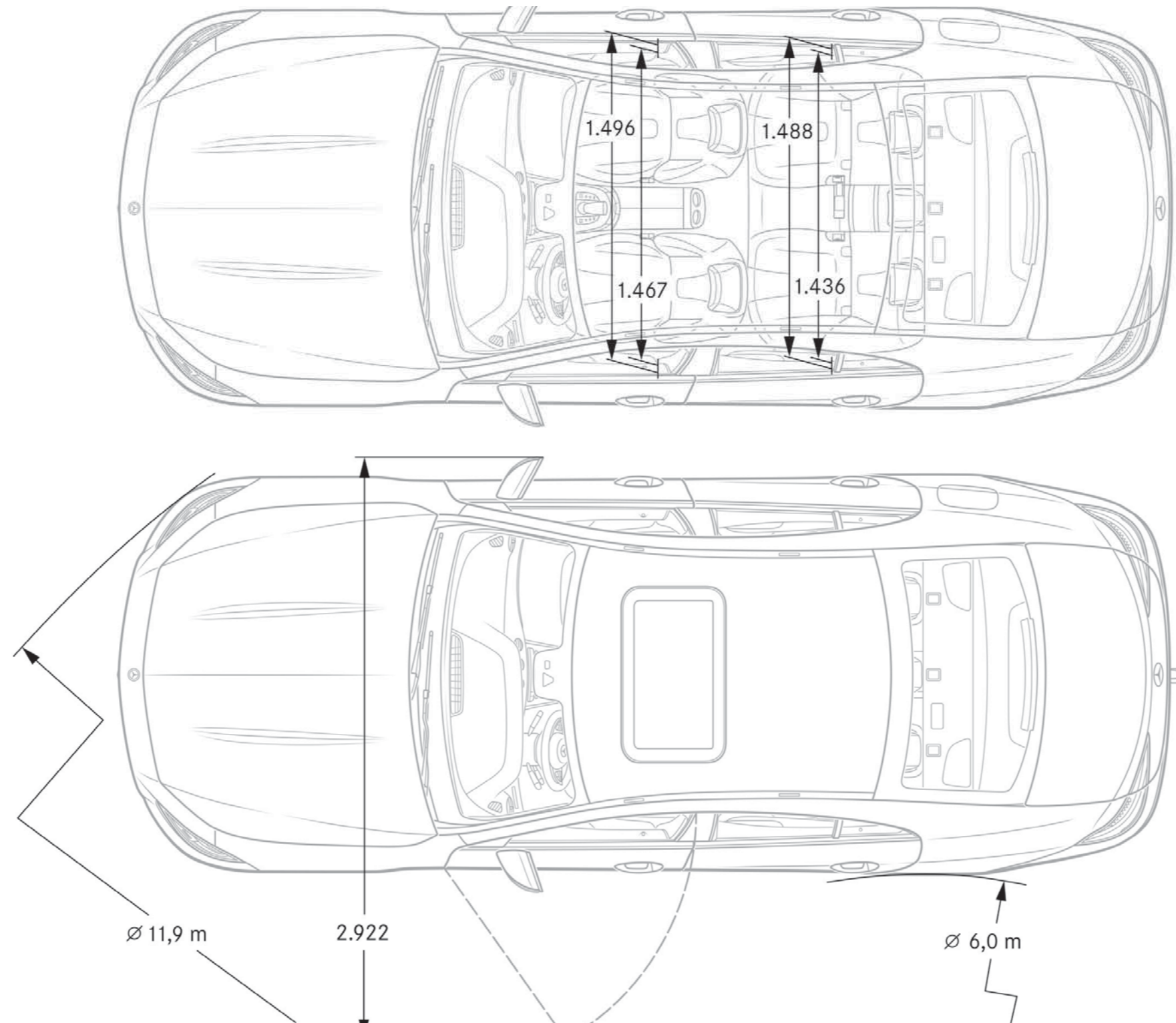
<sup>1</sup> Figures for rated output in accordance with Directive (EC) no. 715/2007 in the currently applicable version. <sup>2</sup> Available for a brief period. <sup>3</sup> Electronically limited. <sup>4</sup> The figures shown were calculated according to the prescribed measuring method. The figures stated are the "NEDC CO<sub>2</sub> figures" in accordance with art. 2 no. 1 of the Implementing Regulation (EC) 2017/1153. Fuel consumption values have been calculated on this basis. More information about the official fuel consumption and the official specific CO<sub>2</sub> emissions of new passenger cars is available in the publication entitled "Leitfaden über den Kraftstoffverbrauch, die CO<sub>2</sub>-Emissionen und den Stromverbrauch neuer Personenkraftwagen" ["Guidelines concerning the fuel consumption, CO<sub>2</sub> emissions and electricity consumption of new passenger cars"], available free of charge at all retailers and from Deutsche Automobil Treuhand GmbH at [www.dat.de](http://www.dat.de). The figures are not based on an individual vehicle and do not constitute part of the product offer; they are provided solely for purposes of comparison between different vehicle models. The figures will vary according to the optional features selected. <sup>5</sup> Only valid within the European Union. Details may vary from country to country. <sup>6</sup> Calculated on the basis of the CO<sub>2</sub> emissions measured, taking into account the mass of the vehicle. Valid for Germany only. Further technical data may be found at [www.mercedes-benz.com](http://www.mercedes-benz.com)



# CLS Coupé Dimensions



# CLS Coupé Dimensions



Explore further  
and make your dreams come true



# Mercedes me

Welcome to your Mercedes-Benz world.

Imagine if ...you could connect with your Mercedes-Benz? With Mercedes me connect, you can! Mercedes me connect offers you new connectivity services that make driving more comfortable and incorporates your car into your personal lifestyle.

## Standard Services

- Maintenance Management
- Telediagnosics
- Breakdown Management
- Accident Recovery
- Mercedes-Benz Emergency Call System

## Remote Online Services<sup>1</sup>

- Remote Retrieval of Vehicle Status (fuel level, tyre pressure etc.)
- Parked Vehicle Locator
- Vehicle Tracker
- Geofencing
- Door lock / unlock function


<sup>1</sup> Can be used with Remote Online special feature.





Getting connected is easy. Just set up your Mercedes me account and get in touch with your Mercedes-Benz dealer to connect your vehicle to your profile to access your Mercedes me connect services.


Contact your dealer to get connected, or go to [www.mercedes.me](http://www.mercedes.me) for more details.


Follow us on the following social media channels:

 [facebook.com/MercedesBenzIreland](https://facebook.com/MercedesBenzIreland)

 [instagram.com/mercedesbenz\\_ireland](https://instagram.com/mercedesbenz_ireland)

 [linkedin.com/company/motor-distributors-ltd](https://linkedin.com/company/motor-distributors-ltd)

 [twitter.com/MB\\_Ireland](https://twitter.com/MB_Ireland)

 [youtube.com/mercedesbenzireland](https://youtube.com/mercedesbenzireland)

 [pinterest.com/mercedesbenzire](https://pinterest.com/mercedesbenzire)

Motor Distributors Ltd.  
Naas Road  
Dublin 12  
Ireland  
[www.mercedes-benz.ie](http://www.mercedes-benz.ie)

Information correct at time of going to print. Prices and specifications are subject to change without prior notice. Prices quoted do not include dealer and delivery related charges. Images are for illustrative purposes only, actual product may vary. For more specific information in relation to the range of models, features, optional extras, colours and services available please speak to your local authorised Mercedes-Benz dealer.