

The new E-Class Saloon



Price List as of 01st June 2021

Mercedes-Benz



Welcome

At Mercedes-Benz we appreciate the importance of detail. Over the following pages you'll find model prices and a breakdown of standard and optional equipment, as well as details of the attractive finance offers and benefits that are available to every Mercedes-Benz driver.

We have highlighted some of the best styling features both inside and out, some of the new technology features and some body styling options which all combine to give you a unique driving experience. To experience a full listing of what is available; please speak directly to your local Mercedes-Benz Dealer.

Of course, some things have to be experienced to be truly appreciated, such as the qualities that set a Mercedes-Benz apart, which is why we'd like to invite you for a test drive at your local Mercedes-Benz Dealership. Discover the location and the contact details of your local Mercedes-Benz Dealership at www.mercedes-benz.ie

Model Prices

Petrol

| Model Description | Wheel size | CO2 | VRT Rate | Road Tax | CC | BHP | Price* |
|-----------------------------|------------|---------|----------|----------|------|-----|---------|
| E 200 A/T Avantgarde | 17" | 156-170 | 26.0% | €420 | 1991 | 197 | €55,710 |
| E 200 A/T Exclusive | 17" | 156-170 | 26.0% | €420 | 1991 | 197 | €57,920 |
| E 200 A/T AMG Line Exterior | 18" | 156-170 | 26.0% | €420 | 1991 | 197 | €59,448 |
| E 200 A/T AMG Line | 18" | 156-170 | 26.0% | €420 | 1991 | 197 | €60,733 |
| E 300 A/T Avantgarde | 17" | 156-170 | 26.0% | €420 | 1991 | 258 | €61,135 |
| E 300 A/T Exclusive | 17" | 156-170 | 26.0% | €420 | 1991 | 258 | €63,345 |
| E 300 A/T AMG Line Exterior | 18" | 156-170 | 26.0% | €420 | 1991 | 258 | €64,871 |
| E 300 A/T AMG Line | 18" | 156-170 | 26.0% | €420 | 1991 | 258 | €68,237 |

Petrol Plug In Hybrid

| Model Description | Wheel size | CO2 | VRT Rate | Road Tax | CC | BHP | Price* |
|--|------------|------|----------|----------|------|-----|---------|
| E 300 e Plug-in hybrid AMG Line Exterior | 18" | 0-50 | 7.0% | €140 | 1991 | ** | €61,830 |
| E 300 e Plug-in hybrid AMG Line | 18" | 0-50 | 7.0% | €140 | 1991 | ** | €63,325 |
| E 300 e 4MATIC Plug In Hybrid AMG Line Exterior | 18" | 0-50 | 7.0% | €140 | 1991 | ** | €66,775 |
| E 300 e 4MATIC Plug In Hybrid AMG Line | 18" | 0-50 | 7.0% | €140 | 1991 | ** | €68,270 |
| ** 1,991cc, 4-cylinder, 211hp - Electric Motor 122hp. System Output 320hp. | | | | | | | |

*Prices applicable to all models registered from 01st June to 31st July 2021. Subject to availability. Terms & Conditions apply. Prices quoted do not include dealer and delivery related charges.

Model Prices

Diesel

| Model Description | Wheel size | CO2 | VRT Rate | Road Tax | CC | BHP | Price* |
|----------------------------------|------------|---------|----------|----------|------|-----|---------|
| E 220 D A/T Avantgarde | 17" | 136-140 | 18.0% | €210 | 1950 | 194 | €55,790 |
| E 220 D A/T Exclusive | 17" | 136-140 | 18.0% | €210 | 1950 | 194 | €57,805 |
| E 220 D A/T AMG Line Exterior | 18" | 136-140 | 18.0% | €210 | 1950 | 194 | €59,197 |
| E 220 D A/T AMG Line | 18" | 136-140 | 18.0% | €210 | 1950 | 194 | €60,370 |
| E 300 D 4MATIC Avantgarde | 17" | 151-155 | 23.5% | €280 | 1992 | 265 | €72,180 |
| E 300 D 4MATIC Exclusive | 17" | 151-155 | 23.5% | €280 | 1992 | 265 | €74,325 |
| E 300 D 4MATIC AMG Line Exterior | 18" | 151-155 | 23.5% | €280 | 1992 | 265 | €75,807 |
| E 300 D 4MATIC AMG Line | 18" | 151-155 | 23.5% | €280 | 1992 | 265 | €77,056 |
| E 400 D 4MATIC Avantgarde | 18" | 171-190 | 31.0% | €600 | 2925 | 340 | €89,420 |
| E 400 D 4MATIC Exclusive | 18" | 171-190 | 31.0% | €600 | 2925 | 340 | €91,772 |
| E 400 D 4MATIC AMG Line Exterior | 19" | 171-190 | 31.0% | €600 | 2925 | 340 | €93,540 |
| E 400 D 4MATIC AMG Line | 19" | 171-190 | 31.0% | €600 | 2925 | 340 | €95,613 |

Diesel Plug In Hybrid

| Model Description | Wheel size | CO2 | VRT Rate | Road Tax | CC | BHP | Price* |
|--|------------|------|----------|----------|------|-----|---------|
| E 300 de Plug In Hybrid AMG Line Exterior | 18" | 0-50 | 7.0% | €140 | 1950 | ** | €63,755 |
| E 300 de Plug In Hybrid AMG Line | 18" | 0-50 | 7.0% | €140 | 1950 | ** | €65,250 |
| E 300 de 4MATIC Plug In Hybrid AMG Line Exterior | 18" | 0-50 | 7.0% | €140 | 1950 | ** | €68,525 |
| E 300 de 4MATIC Plug In Hybrid AMG Line | 18" | 0-50 | 7.0% | €140 | 1950 | ** | €70,020 |
| ** 1,950cc, 4-cylinder, 194hp - Electric Motor 122hp. System Output 306hp. | | | | | | | |

*Prices applicable to all models registered from 01st June to 31st July 2021. Subject to availability. Terms & Conditions apply. Prices quoted do not include dealer and delivery related charges.

Model Prices

AMG

| Model Description | Wheel size | CO2 | VRT Rate | Road Tax | CC | BHP | Price* |
|----------------------------|------------|-------|----------|----------|------|-----|----------|
| Mercedes-AMG E 53 4MATIC | 19" | 191 + | 37.0% | €1,250 | 2999 | 435 | €122,610 |
| Mercedes-AMG E 63 4MATIC | 19" | 191 + | 37.0% | €2,400 | 3982 | 571 | €156,620 |
| Mercedes-AMG E 63 S 4MATIC | 20" | 191 + | 37.0% | €2,400 | 3982 | 612 | €173,285 |

*Prices applicable to all models registered from 01st June to 31st July 2021. Subject to availability. Terms & Conditions apply. Prices quoted do not include dealer and delivery related charges.

Star Finance PCP

You said you'd drive a Mercedes-Benz one day. One day is now with Star Finance PCP.

Speak to your dealer to discover just how easy it can be to upgrade from the ordinary to the extraordinary.

Our new Personal Contract Plan guarantees the minimum future value (GMFV) of your Mercedes-Benz.

Select your Mercedes-Benz model, pay your deposit and in 37 months either:

Trade-in for a brand new model

Acquire your model by paying the outstanding balance

Return the car and walk away (T&C's apply)

Mercedes-Benz E-Class Star Finance PCP Example (includes delivery and a 3 year service plan)

| | |
|---|------------|
| Purchase Price†: | €54,945.00 |
| Deposit/Trade in: | €16,483.50 |
| Finance Amount: | €38,461.50 |
| 36 Monthly Payments of: | €608.99 |
| GMFV ^{††} (Optional Final Payment) | €20,879.10 |
| Term: | 37 months |
| Total Cost of Credit: | €5,013.72 |
| APR %* | 4.9% |

Terms and Conditions.

† Includes delivery & related charges. Model is shown for illustrative purposes only. †† The Guaranteed Minimum Future Value (GMFV) is payable if you renew or retain the vehicle at the end of the agreement. Further charges may be applied by your Mercedes Benz Dealer subject to kilometre limits/condition of the vehicle.*Lending criteria and conditions apply. Fixed APR (Annual Percentage Rate) 4.9% which is inclusive of a documentation fee of €63.49. To qualify for this Finance Offer; a minimum deposit of 10% is required. Rate quoted is correct as at 01st March 2021 and subject to change. Offer available on all new E-Class 200 d automatic Avantgarde models registered from 01st March to 31st March 2021 at authorised dealers. This is a Consumer Hire Purchase agreement provided by Bank of Ireland t/a Bank of Ireland Finance. CO2 range: 123 – 110 g/km and 4.7 – 4.2 l/100km.

The new E-Class

Highlights.





Saloon.

The look of the new E-Class Saloon makes a clear statement for greater dynamism, from the elongated hood and striking powerdomes to the new, modern wheel designs.

Dynamic.

Dynamically shaped shoulders and narrow, split LED headlights make everything look that much more athletic.

Comfort.

Numerous comfort features such as the intelligent ENERGIZING packages take interior comfort to a whole new level.



Choose your new E-Class



Standard Equipment

- Adaptive Highbeam Assist
- ADVANTGARDE Interior
- AVANTGARDE Exterior
- Digital Radio
- Folding rear seat backrests
- LED High Performance headlamps
- Navigation connectivity package
- Rear View Camera
- Seat comfort package
- Stowage Space package
- Traffic Sign Assist
- Two USB ports in the rear
- Velour floor mats
- Wireless Charging System
- 17" light-alloy aero wheels



Saloon

Standard

AVANTGARDE Line

EXCLUSIVE Line

AMG / AVANTGARDE Line

AMG Line

All-Terrain

Overview of Lines



The E-Class saloon with AVANTGARDE exterior including radiator grille with 2 louvres in chrome and integral Mercedes star



897 Wireless charging system for mobile devices



PBF - Navigation connectivity package with extended navigation services



632 - LED High Performance headlamps



218 - Rear View Camera



AVANTGARDE Line



Additional to Standard Equipment:

- AVANTGARDE interior
- Upholstery in Black Leather
- Light longitudinal-grain aluminium trim
- Centre console in black open-pored ash wood
- Interior light package
- Ambient lighting
- Illuminated door sill panels

[Standard](#)[AVANTGARDE Line](#)[EXCLUSIVE Line](#)[AMG / AVANTGARDE Line](#)[AMG Line](#)[All-Terrain](#)[Overview of Lines](#)

P14 - AVANTGARDE interior



737 - Centre console in black open-pored ash wood



891 - Ambient lighting with 64 colours and 3 light zones



U25 - Illuminated door sill panels with "Mercedes-Benz" lettering



EXCLUSIVE Line

Saloon

Additional to Standard Equipment:

- EXCLUSIVE exterior & interior
- Open-pored light brown ash wood trim
- Centre console in light brown open-pored ash wood
- Interior light package
- Ambient lighting
- Illuminated door sill panels

[Standard](#)[AVANTGARDE Line](#)[EXCLUSIVE Line](#)[AMG / AVANTGARDE Line](#)[AMG Line](#)[All-Terrain](#)[Overview of Lines](#)

The E-Class saloon with EXCLUSIVE exterior including radiator grille with 3 louvres and vertical bar in chrome and Mercedes star on the bonnet



P22 - EXCLUSIVE interior



730 - Centre console in light brown open-pored ash wood



891 - Ambient lighting with 64 colours and 3 light zones



U25 - Illuminated door sill panels with "Mercedes-Benz" lettering

AMG / AVANTGARDE Line

Additional to Standard Equipment:

- AMG Line Exterior
- AVANTGARDE Interior
- 18" AMG light-alloy wheels
- AMG Line brakes
- Privacy Glass
- Upholstery in Black Leather
- Light longitudinal-grain aluminium trim
- Centre console in black open-pored ash wood
- Interior light package
- Ambient lighting
- Illuminated door sill panels



Saloon



Saloon



Saloon

AMG Line

Additional to Standard Equipment:

- AMG Line exterior & interior
- AMG floor mats with "AMG" lettering
- AMG Line brakes
- 18" AMG light-alloy wheels
- Privacy Glass
- Upholstery in Black Leather
- Open-pored black ash wood trim
- Centre console in black open-pored ash wood Interior light package
- Ambient lighting
- Illuminated door sill panels

[Standard](#)[AVANTGARDE Line](#)[EXCLUSIVE Line](#)[AMG / AVANTGARDE Line](#)[AMG Line](#)[All-Terrain](#)[Overview of Lines](#)

The E-Class saloon with AMG Line exterior including diamond radiator grille with chrome pins and a single louvre in chrome



P29 - AMG Line interior



L5C - Multifunction sports steering wheel in nappa leather with touch control panels, galvanised shift paddles and flattened bottom section



U09 - Upper part of dashboard, beltlines and door centre panels in ARTICO man-made leather



U26 - AMG floor mats with "AMG" lettering

Choose an Engine



Diesel



Petrol



Plug-In Hybrid

The new E-Class

Optional Equipment.



Premium Package

From **5 030€**

- 1** U19 – MBUX augmented reality for navigation.
- 2** P17 - KEYLESS-GO comfort package.
- 3** P35 - MULTIBEAM LED.
- 4** P47 - Parking package incl. 360° camera.



Premium Plus Package

From **10 679€**

- 1** 810 - Burmester®surround sound system
- 2** PBP - ENERGIZING package
- 3** P17 - KEYLESS-GO comfort package
- 4** 275 - Memory package
- 5** P35 - MULTIBEAM LED
- 6** U19 - MBUX augmented reality for navigation
- 7** 413 - Panoramic sliding sunroof
- 8** P47 Parking package incl. 360° camera



AMG Line Night Package

From **1 030€**

- 1 AMG front apron with front splitter in high-gloss black
- 2 AMG front apron with front splitter in high-gloss black
- 3 Exterior mirror housings in high-gloss black
- 4 Heat-insulating dark-tinted glass
- 5 18" AMG 5-twin-spoke light-alloy wheels, painted in high-gloss black with a high-sheen finish
- 6 Waistline trim strip, window weatherstrip and trim strip in the rear bumper in high-gloss black



Optional Equipment

| | From* |
|---|--------|
| AIR-BALANCE package | €626 |
| Burmester® high-end 3D surround sound system | €7,577 |
| Burmester® surround sound system | €1,730 |
| Climatised front seats | €1,385 |
| Dashboard and door beltlines in ARTICO man-made leather | €1,122 |
| DINAMICA microfibre roof liner in black | €2,993 |
| Driving Assistance package | €2,768 |
| Heated rear seats | €673 |
| Lane Tracking package | €616 |
| MBUX Augmented Reality for Navigation | €731 |
| Metallic paint (Free on PHEV) | €1,628 |
| MULTIBEAM LED | €2,432 |
| Nappa Leather (Black / Macchiato Beige / Saddle Brown) | €880 |
| Panoramic sliding sunroof | €3,312 |
| Smartphone Integration | €748 |
| Trailer coupling with ESP® trailer stabilisation | €1,795 |



* Price subject to model specification

[Standard](#)[AVANTGARDE Line](#)[EXCLUSIVE Line](#)[AMG / AVANTGARDE Line](#)[AMG Line](#)[All-Terrain](#)[Overview of Lines](#)

Wheels



R11 - 17" 5-twin-spoke light alloy wheels - **Standard**



R48 - 17" 5-twin-spoke light alloy wheels
Optional



R43 - 17" 10-spoke light-alloy wheels - **Optional**



R38 - 18" 5-twin-spoke light alloy wheels*
Optional



R32 - 18" 5-spoke light-alloy wheels - **Standard for plug-in hybrids**



O1R - 18" 5-twin-spoke light alloy wheels
Optional for E 400d 4M/450 4M



22R - 18" 5-twin-spoke light alloy wheels
Optional for E 400d 4M/450 4M and plug-in hybrids



R10 - 18" 5-twin-spoke light alloy wheels - **Standard with Night Package**

[Standard](#)[AVANTGARDE Line](#)[EXCLUSIVE Line](#)[AMG / AVANTGARDE Line](#)[AMG Line](#)[All-Terrain](#)[Overview of Lines](#)

Wheels



R69 - 17" 5-spoke light-alloy wheels - **Standard**



O8R - 17" multi-spoke light alloy wheels
Optional



61R - 18" multi-spoke light alloy wheels - **Optional for E 400d 4M/450 4M**



52R - 18" 5-spoke light-alloy wheels* - **Optional**



R32 - 18" 5-spoke light-alloy wheels - **Standard for plug-in hybrids**



R97 - 19" 10-spoke light-alloy wheels - **Optional for E 400d 4M/450 4M**

*Standard for E 400d 4M/450 4M.

Standard AVANTGARDE Line EXCLUSIVE Line AMG / AVANTGARDE Line **AMG Line** All-Terrain Overview of Lines

Wheels



RSN/RSJ* - 18" AMG 5-twin-spoke light-alloy wheels - **Standard**



RZI - 19" AMG 5-twin-spoke light-alloy wheels
Optional



RRD - 19" AMG 10-spoke light-alloy wheels
Optional



RVQ - 20" AMG multi-spoke alloy wheels
Optional



RSP/RSK* - 18" AMG 5-twin-spoke light-alloy wheels
Standard with Night Package



RSW - 19" AMG 5-twin-spoke light-alloy wheels
Optional with Night Package



RVR - 20" AMG multi-spoke light-alloy wheels
Optional with Night Package

*For plug-in hybrids.

[Standard](#)[AVANTGARDE Line](#)[EXCLUSIVE Line](#)[AMG / AVANTGARDE Line](#)[AMG Line](#)[All-Terrain](#)[Overview of Lines](#)

Upholstery



201A - Leather black
Standard



208A - Leather neva grey
magma grey
Optional



214A - Leather nut brown
black - **Optional**



215A - Leather macchiato
beige/black
Optional



[Standard](#)[AVANTGARDE Line](#)[EXCLUSIVE Line](#)[AMG / AVANTGARDE Line](#)[AMG Line](#)[All-Terrain](#)[Overview of Lines](#)

Trims



H41 - Light longitudinal-grain aluminium trim - **Standard**



H78 - Light carbon-grain aluminium trim
Optional



736 - Open-pored black ash wood trim - **Optional**



H09 - Open-pored light brown ash wood trim
Optional



H32 - Open-pored grey ash wood trim - **Optional**



H06 - High-gloss brown ash wood trim - **Optional**



H29 - High-gloss brown burr walnut wood trim
Optional



H64 - Metal-weave trim
Optional



H16 - *designo* piano lacquer, black flowing lines trim
Optional



H73 - AMG carbon-fibre trim
Optional



[Standard](#)[AVANTGARDE Line](#)[EXCLUSIVE Line](#)[AMG / AVANTGARDE Line](#)[AMG Line](#)[All-Terrain](#)[Overview of Lines](#)

Upholstery



801A - Nappa leather black
Optional



804A - Nappa leather nut
brown/black
Optional



805A - Nappa leather
macchiato beige/magma grey
Optional



[Standard](#)[AVANTGARDE Line](#)[EXCLUSIVE Line](#)[AMG / AVANTGARDE Line](#)[AMG Line](#)[All-Terrain](#)[Overview of Lines](#)

Trims



H09 - Open-pored light brown ash wood trim - **Standard**



H41 - Light longitudinal-grain aluminium trim
Optional



H78 - Light carbon-grain aluminium trim
Optional



736 - Open-pored black ash wood trim - **Optional**



H32 - Open-pored grey ash wood trim - **Optional**



H06 - High-gloss brown ash wood trim - **Optional**



H29 - High-gloss brown burr walnut wood trim
Optional



H64 - Metal-weave trim
Optional



H16 - *designo* piano lacquer, black flowing lines trim
Optional



H73 - AMG carbon-fibre trim
Optional



[Standard](#)[AVANTGARDE Line](#)[EXCLUSIVE Line](#)[AMG / AVANTGARDE Line](#)[AMG Line](#)[All-Terrain](#)[Overview of Lines](#)

Upholstery



811A - Nappa leather black
Optional



824A - Nappa leather saddle
brown/black
Optional



[Standard](#)[AVANTGARDE Line](#)[EXCLUSIVE Line](#)[AMG / AVANTGARDE Line](#)[AMG Line](#)[All-Terrain](#)[Overview of Lines](#)

Trims



736 - Open-pored black ash wood trim - **Standard**



H41 - Light longitudinal-grain aluminium trim
Optional



H78 - Light carbon-grain aluminium trim
Optional



H09 - Open-pored light brown ash wood trim - **Optional**



H32 - Open-pored grey ash wood trim - **Optional**



H06 - High-gloss brown ash wood trim - **Optional**



H29 - High-gloss brown burr walnut wood trim
Optional



H64 - Metal-weave trim
Optional



H16 - *designo* piano lacquer, black flowing lines trim
Optional



H73 - AMG carbon-fibre trim
Optional

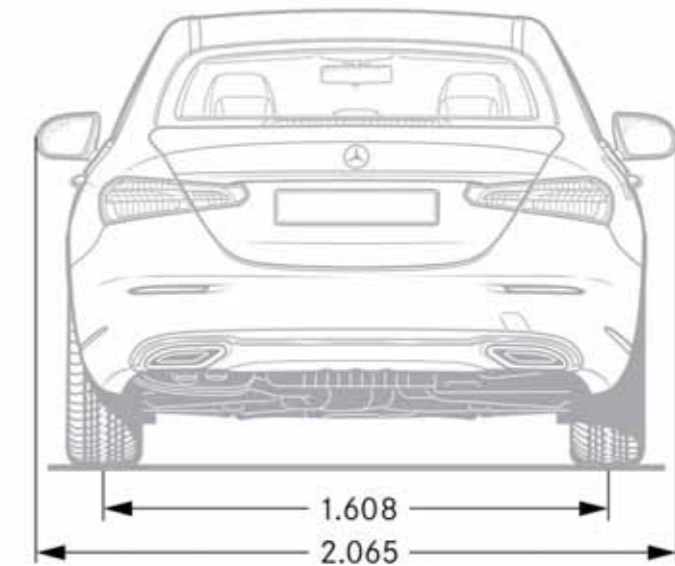
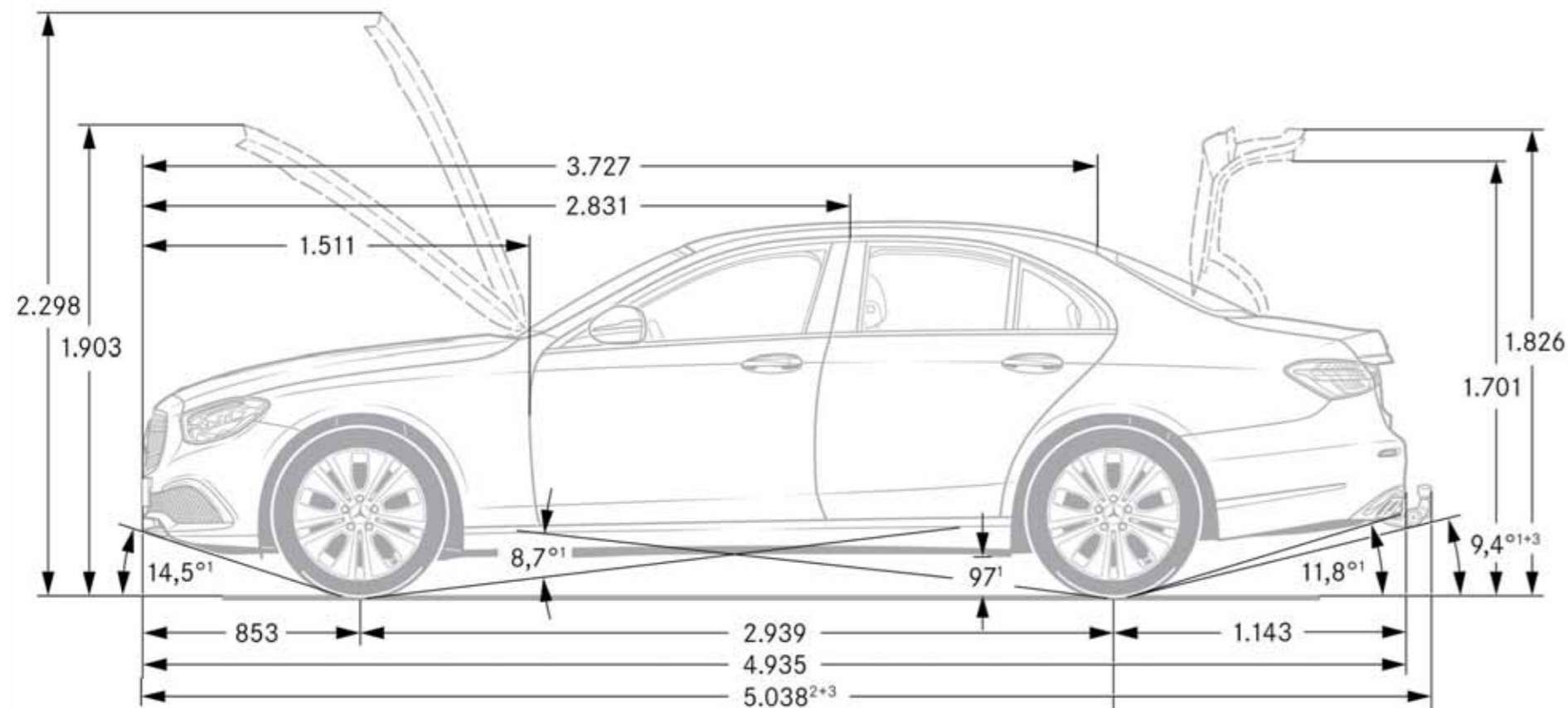
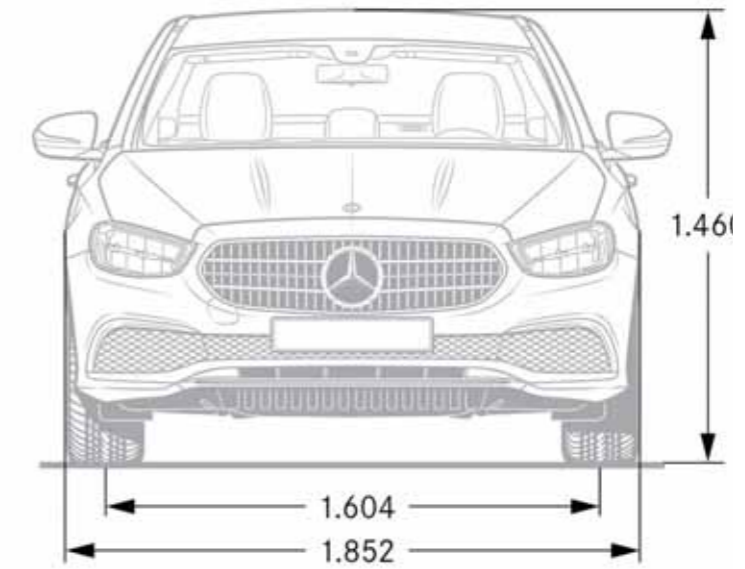
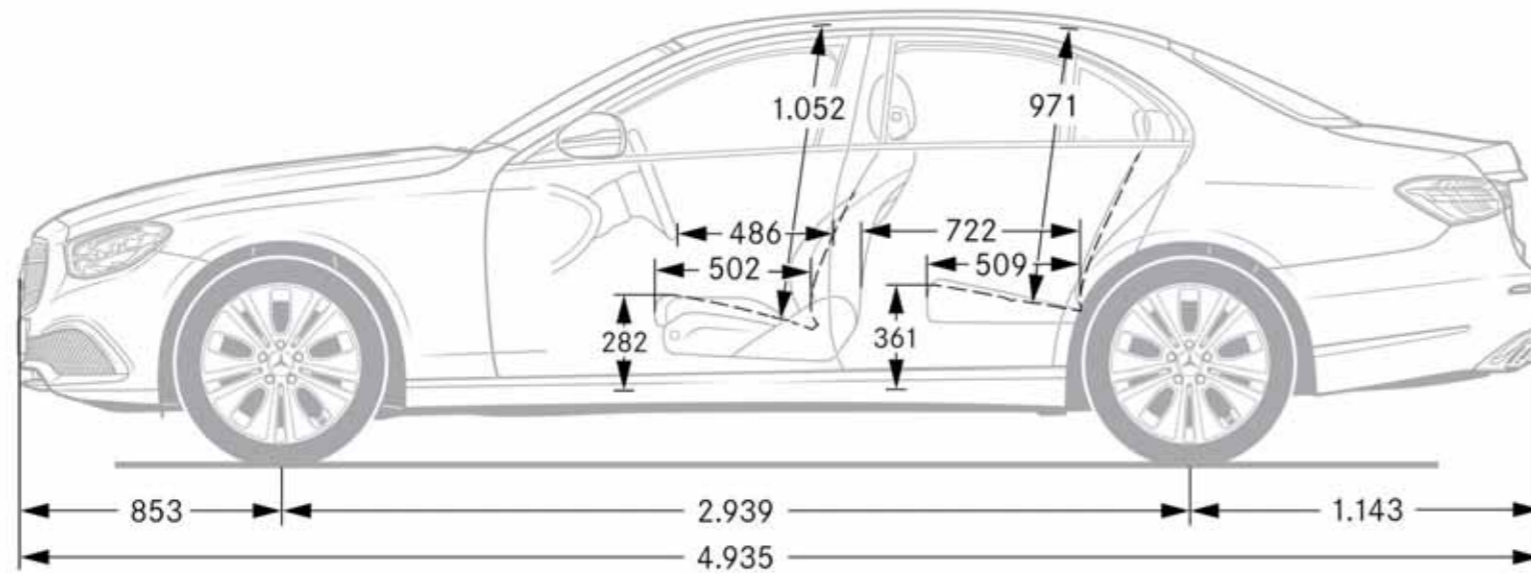


The new E-Class

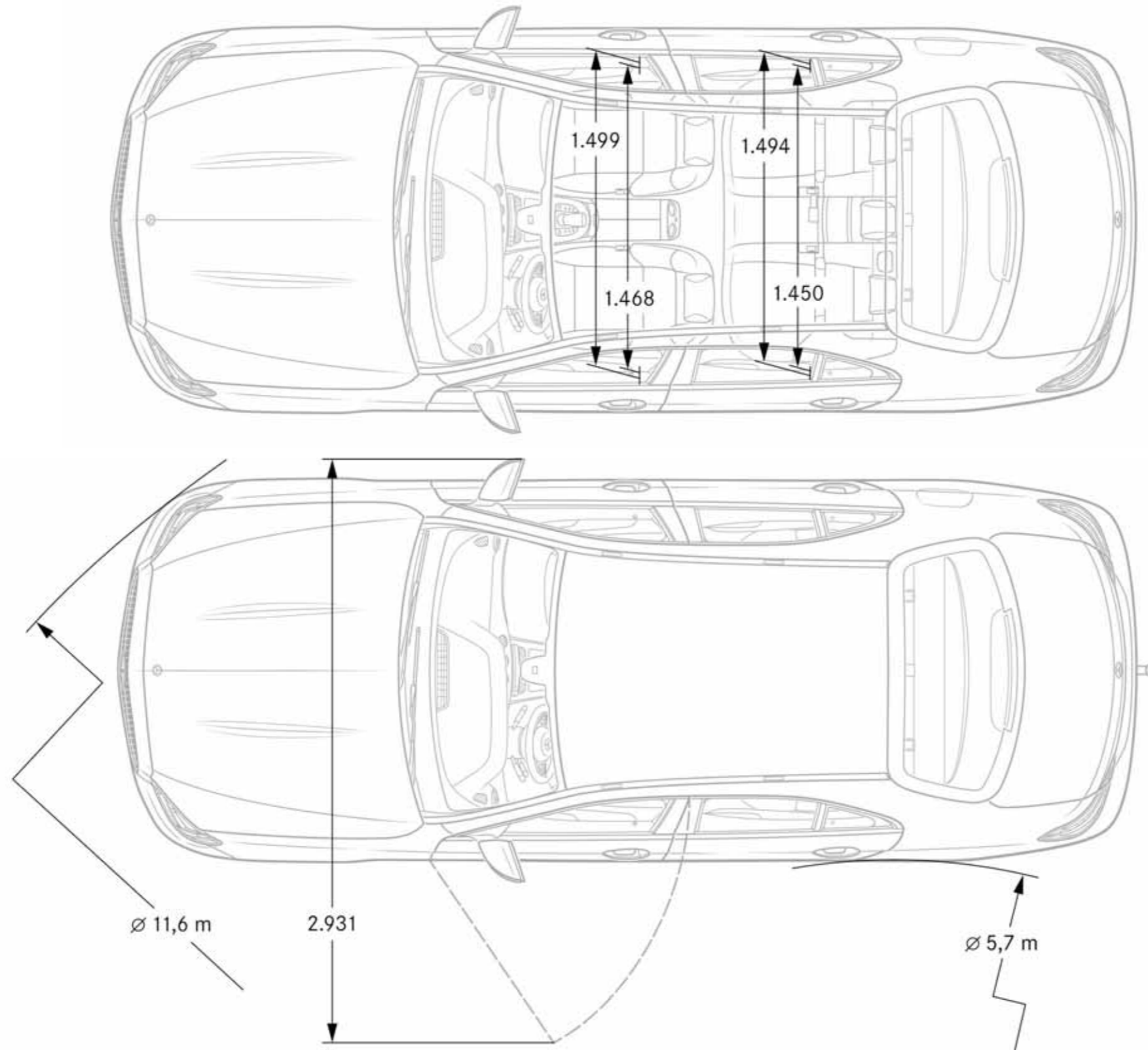
Technical Data.



E-Class Saloon Dimensions



E-Class Saloon Dimensions



Explore further
and make your dreams come true



Mercedes me

Welcome to your Mercedes-Benz world.

Imagine if ...you could connect with your Mercedes-Benz? With Mercedes me connect, you can! Mercedes me connect offers you new connectivity services that make driving more comfortable and incorporates your car into your personal lifestyle.

Standard Services

- Maintenance Management
- Telediagnosics
- Breakdown Management
- Accident Recovery
- Mercedes-Benz Emergency Call System

Remote Online Services¹

- Remote Retrieval of Vehicle Status (fuel level, tyre pressure etc.)
- Parked Vehicle Locator
- Vehicle Tracker
- Geofencing
- Door lock / unlock function


¹ Can be used with Remote Online special feature.




Getting connected is easy. Just set up your Mercedes me account and get in touch with your Mercedes-Benz dealer to connect your vehicle to your profile to access your Mercedes me connect services.


Contact your dealer to get connected, or go to www.mercedes.me for more details.


Follow us on the following social media channels:


 facebook.com/MercedesBenzIreland

 instagram.com/mercedesbenz_ireland

 [linkedin.com/company/motor distributors ltd](https://linkedin.com/company/motor-distributors-ltd)

 twitter.com/MB_IRELAND

 youtube.com/mercedesbenzireland

 pinterest.com/mercedesbenzire

Motor Distributors Ltd.
Naas Road
Dublin 12
Ireland
www.mercedes-benz.ie

Information correct at time of going to print. Prices and specifications are subject to change without prior notice. Prices quoted do not include dealer and delivery related charges. Images are for illustrative purposes only, actual product may vary. For more specific information in relation to the range of models, features, optional extras, colours and services available please speak to your local authorised Mercedes-Benz dealer.