

The GLC

Sport Utility Vehicle



Price List as of 1st June 2021

Mercedes-Benz



Welcome

At Mercedes-Benz we appreciate the importance of detail. Over the following pages you'll find model prices and a breakdown of standard and optional equipment, as well as details of the attractive finance offers and benefits that are available to every Mercedes-Benz driver.

We have highlighted some of the best styling features both inside and out, some of the new technology features and some body styling options which all combine to give you a unique driving experience. To experience a full listing of what is available; please speak directly to your local Mercedes-Benz Dealer.

Of course, some things have to be experienced to be truly appreciated, such as the qualities that set a Mercedes-Benz apart, which is why we'd like to invite you for a test drive at your local Mercedes-Benz Dealership. Discover the location and the contact details of your local Mercedes-Benz Dealership at **www.mercedes-benz.ie**

Contents

Model prices	4	AMG Line interior equipment	27	Wheels	34
Key equipment	15	AMG Line exterior equipment	28	Paintwork	35
Equipment lines	17	Night package	29	Upholstery and trim	36
Standard interior equipment	23	Advantage package	30	Technical data	37
Standard exterior equipment	24	Premium package	31	Dimensions	39
Exclusive interior equipment	25	Premium Plus package	32	Mercedes Me	42
OFF-ROAD exterior equipment	26	Optional equipment	33		

Price List

Petrol

Model Description	Wheel size	CO2	VRT Rate	Road Tax	CC	BHP	Price*
GLC 300 4MATIC Standard Interior / Standard Exterior	18"	171-190	31.00%	€600	1991	258	€71,825
GLC 300 4MATIC Exclusive Interior / Standard Exterior	18"	171-190	31.00%	€600	1991	258	€74,045
GLC 300 4MATIC Exclusive Interior / Off Road Exterior	18"	171-190	31.00%	€600	1991	258	€75,533
GLC 300 4MATIC AMG Line	19"	171-190	31.00%	€600	1991	258	€76,820
Mercedes-AMG GLC 43 4MATIC+	19"	191 +	37.00%	€2,400	2996	367	€84,985
Mercedes-AMG GLC 63 S 4MATIC+	20"	191 +	37.00%	€2,400	3982	510	€140,520

Plug In Hybrid

Model Description	Wheel size	CO2	VRT Rate	Road Tax	CC	BHP	Price*
GLC 300 e 4MATIC AMG Line Premium	19"	51-80	9.00%	€150	1991	**	€66,420

** 1,991cc, 4-cylinder, 211hp - Electric Motor 122hp. System Output 320hp.

*Prices applicable to all models registered from 01st June to 31st July 2021. Subject to availability. Terms & Conditions apply. Prices quoted do not include dealer and delivery related charges.

Diesel

Model Description	Wheel size	CO2	VRT Rate	Road Tax	CC	BHP	Price*
GLC 220 d Standard Interior / Standard Exterior	18"	151-155	23.50%	€280	1950	194	€54,425
GLC 220 d Exclusive Interior / Standard Exterior	18"	151-155	23.50%	€280	1950	194	€56,449
GLC 220 d Exclusive Interior / Off Road Exterior	18"	156-170	26.00%	€280	1950	194	€59,554
GLC 220 d AMG Line	19"	156-170	26.00%	€420	1950	194	€60,763
GLC 220 d 4MATIC Standard Interior / Standard Exterior	18"	151-155	23.50%	€280	1950	194	€57,090
GLC 220 d 4MATIC Exclusive Interior / Standard Exterior	18"	151-155	23.50%	€280	1950	194	€59,114
GLC 220 d 4MATIC Exclusive Interior / Off Road Exterior	18"	156-170	26.00%	€280	1950	194	€62,299
GLC 220 d 4MATIC AMG Line	19"	156-170	26.00%	€420	1950	194	€63,508
GLC 300 d 4MATIC Standard Interior / Standard Exterior	18"	156-170	26.00%	€420	1950	245	€62,040
GLC 300 d 4MATIC Exclusive Interior / Standard Exterior	18"	156-170	26.00%	€420	1950	245	€64,126
GLC 300 d 4MATIC Exclusive Interior / Off Road Exterior	18"	156-170	26.00%	€420	1950	245	€65,524
GLC 300 d 4MATIC AMG Line	19"	171-190	31.00%	€600	1950	245	€71,025

Plug In Hybrid

Model Description	Wheel size	CO2	VRT Rate	Road Tax	CC	BHP	Price*
GLC 300 de 4MATIC AMG Line Premium	19"	0-50	7.00%	€140	1950	**	€66,540
** 1,950cc, 4-cylinder, 194hp - Electric Motor 122hp. System Output 306hp.							

*Prices applicable to all models registered from 01st June to 31st July 2021. Subject to availability. Terms & Conditions apply. Prices quoted do not include dealer and delivery related charges.

Star Finance PCP

You said you'd drive a Mercedes-Benz one day. One day is now with Star Finance PCP.

Speak to your dealer to discover just how easy it can be to upgrade from the ordinary to the extraordinary.

Our new Personal Contract Plan guarantees the minimum future value (GMFV) of your Mercedes-Benz.

Select your Mercedes-Benz model, pay your deposit and in 37 months either:

Trade-in for a brand new model

Acquire your model by paying the outstanding balance

Return the car and walk away (T&C's apply)

Mercedes-Benz GLC SUV Star Finance PCP Example

(includes delivery and a 3 year service plan)

Purchase Price [†] :	€53,450.00
Deposit/Trade in:	€16,035.00
Finance Amount:	€37,415.00
36 Monthly Payments of:	€592.37
GMFV ^{††} (Optional Final Payment)	€20,311.00
Term:	37 months
Total Cost of Credit:	€4,877.18
APR %*	4.90%

Terms and Conditions.

[†]Includes delivery & related charges. Model is shown for illustrative purposes only. ^{††} The Guaranteed Minimum Future Value (GMFV) is payable if you renew or retain the vehicle at the end of the agreement. Further charges may be applied by your Mercedes-Benz Dealer subject to kilometre limits/condition of the vehicle. *Lending criteria and conditions apply. Fixed APR (Annual Percentage Rate) 4.9% which is inclusive of a documentation fee of €63.49. To qualify for this Finance Offer; a minimum deposit of 10% is required. Rate quoted is correct at 01st March 2020 and subject to change. Offer available on all new GLC 200 d 4MATIC models registered from 01st March to 31st March 2021 at authorised dealers. This is a Consumer Hire Purchase agreement provided by Bank of Ireland t/a Bank of Ireland Finance. CO2 range: 140 - 134 g/km and 5.3 - 5.1 l/100km

A strong character

The new GLC is more intelligent, dynamic and self-assured than ever. With a fascinatingly cutting-edge operating system that adapts more accurately to your needs and preferences every day. With an even more expressive SUV design. And with comfort and safety systems that attend better than ever to you and your well-being.



A detailed view of the Mercedes-Benz GLC interior. The steering wheel is on the right, featuring the Mercedes-Benz logo and 'AIRBAG' text. The dashboard and center console are visible, with a red leather interior. The car is parked in a scenic landscape with mountains in the background.

Come on in! The new GLC has plenty of surprises in store.

A whole new way of operating a car. Simple. Intuitive. With words, touch or gestures. This is MBUX – the new Mercedes-Benz User Experience. The highlights: new digital displays and touch control elements, a natural speech recognition system plus the ability to adapt itself better to you each day.






Treat your eyes to something special.


Nothing appeals to the eye more than an aura of strength and athleticism. And the new GLC with the AMG Line has a particularly sporty charisma. With its broader shoulders, integrated tailpipe trim and new rim designs, it conveys an even greater sense of power and dominance. In addition, the new flattened tail lights feature LEDS as standard for the first time.



A detailed view of a car's interior during sunset. The dashboard features a large, illuminated digital display showing a central energy icon and various vehicle metrics. Below the screen are three circular air vents and a control panel with buttons and a gear selector. The steering wheel is visible on the left. The ambient lighting is warm, reflecting the golden light from the window. The overall aesthetic is modern and sophisticated.

Top up your energy levels.

Everything here in the interior has just one objective: to make the time you spend here as enjoyable as possible. With ENERGIZING packages to enhance your sense of wellbeing as and when you need them. With new optional sports seats for tangibly more lateral support and comfort. And with a Burmester® surround sound system that can turn your music, upon request, into a superb audio experience.

A silver Mercedes-Benz SUV is parked on a city street. A man in a light blue shirt and brown trousers is walking past the car, carrying a black bag. The background features a modern building with a white facade and a balcony, palm trees, and a building with a sign that reads "MESA CAFE". The license plate of the car is "S UV 2531".

Commanding presence from a standing start.

A more striking radiator grille, more elegant chrome elements, and slimmer headlamps lend the front end of the new GLC an even more commanding SUV-style presence.

Only the new GLC handles like this.

Adaptive suspension systems, all-wheel drive, and electrified engines. All of this is possible for the new GLC. Among the absolute highlights available are the optional AIR BODY CONTROL air suspension system for exceptional driving stability, the practical 4MATIC all-wheel drive system and the new electrified petrol engines with EQ Boost.



Energising comfort and exemplary safety.

During rush hour, on long drives at night, or on unfamiliar routes – your new GLC noticeably takes the strain out of driving, particularly in stressful situations. It's all down to a concept that makes every journey in a Mercedes-Benz a safer and exceptional experience: Mercedes-Benz Intelligent Drive. Because the time you spend behind the wheel is your time. Time for relaxation. Time to replenish your energy. So that, first and foremost, you reach your destination safely, but are also relaxed when you get there.



EQUIPMENT HIGHLIGHTS – DRIVING ASSISTANCE SYSTEMS

Driving Assistance package*. Get started on your way to autonomous driving: the most sophisticated of systems will help you, depending on the situation, with adjusting your speed, steering, changing lane and even if a collision appears imminent. The risk of an accident is reduced – passengers and road users are effectively protected. This way you are able to reach your destination relaxed and safe.

The innovative **PRE-SAFE® Sound** system generates a hissing noise from the loudspeakers that can trigger a protective reflex: your auditory system briefly disconnects, so enabling it to protect itself from the loud noise of a crash.

Parking package with 360-degree camera*. Optimum parking service on board. Active Parking Assist with 360-degree camera makes it easier for you to find a parking space and to manoeuvre into and out of parking spaces. The choice is yours: benefit from the car's all-round visibility to park it yourself – or let it take the strain and do the parking for you.

Mercedes-Benz User Experience.

You can now control and adjust almost everything intuitively using just one finger in the new GLC. It's all very straightforward, via either the large touchscreen, the new touchpad or the Touch Control buttons on the new steering wheel. A quick tap is all it takes to customise the style of the display, the ambient lighting or the infotainment system to your requirements.



EQUIPMENT HIGHLIGHTS – CONTROL AND DISPLAY CONVENIENCE

To ensure that you find your way, even in complex traffic situations, **MBUX Augmented Reality for Navigation*** links the virtual world with the real one. The technology incorporates graphical navigation instructions and traffic information into live images. You get to your destination quickly, safely and stress-free.

MBUX voice control. The MBUX (Mercedes-Benz User Experience) infotainment system with intuitive voice control is available as an option for the new GLC. It understands what you say and obeys your commands using natural speech recognition. Two words are all it takes: "Hey Mercedes". And the new GLC is all ears.

MBUX Interior Assistant* Enjoy contactless operating convenience: this innovative system registers and interprets your hand and arm movements. Selected functions can thus be activated with a quick wave of the hand. The system can even differentiate between the driver and the front passenger – so ensuring you have access to the menus you wish to use.



Intuitive touch-control concept.

A touchscreen, a touchpad and Touch Control buttons on the steering wheel bring a whole new meaning to vehicle control. Like second nature, thanks to MBUX – with intuitive touches, voice control and gestures.



Fully digital instrument cluster.*

The fully digital instrument display with the display styles “Classic”, “Progressive” and “Sporty” enables you to decide which information is important to you and how you wish to have it displayed. The 31.2 cm (12.3-inch) display delivers a pin-sharp image which is very easy to read in all light conditions.



Burmester® surround sound system.*

The optionally available Burmester® surround sound system turns your new GLC into a unique acoustic experience. The system is based on a wealth of perfectly orchestrated components that have been fine-tuned to the vehicle interior: 13 high-performance speakers, Frontbass technology and a 9-channel DSP amplifier with a total output of 590 watts. For outstanding audio quality with high sound-level reserves.

*Optional equipment



Sports seats.*

The new AMG Line sports seats offer you appreciably more lateral support and comfort, particularly when driving at high speed. Visual highlights include the fine two-tone upholstery in cranberry red and black ARTICO man-made leather as well as the unique and exciting AMG design.

Standard equipment and appointments.

Even with the standard specification, a harmoniously stylish exterior awaits you. Its features include exclusive design elements in chrome and attractive light-alloy wheels. The visible, chrome-plated tailpipes serve to emphasise the vehicle's dynamic appearance.



The Exclusive interior equipment line.

The Exclusive interior allows you to show what matters to you: the utmost in elegance and top-class quality down to the most minute detail. The luxury highlights and the refined ambience of your interior, with such features as the exclusively designed seats and elegantly upholstered instrument panel, will continue to delight you each day anew.



The AMG Line.

The expressive styling of the AMG Line lends the exterior a sporty, exclusive touch. As such you can make a clear statement for powerful design. On top of this, the technical features give palpably more fun at the wheel, since the agile configuration of the sports suspension with Sports Direct-Steer makes the handling noticeably dynamic.



The Night package.

The Night package adds some appealing visual features: many of the exterior elements are finished in black, so underscoring the sporty character and special individuality of your vehicle and allowing you to demonstrate your sense of expressive design and exclusive sportiness.





Adaptive suspension systems.*

The new GLC not only adapts to the road surface, it also responds to your needs: the AGILITY CONTROL suspension, configured for outstanding ride comfort, comes as standard. Also available: 4MATIC all-wheel drive and the exceptionally sporty DYNAMIC BODY CONTROL suspension with steel springs and adjustable damping. One of the absolute highlights: the AIR BODY CONTROL air suspension for exceptional driving stability coupled with outstanding comfort and agility.



4MATIC all-wheel drive.*

When moving off or accelerating, during dynamic cornering or in easy off-road terrain: 4MATIC, the improved permanent all-wheel drive system from Mercedes-Benz, ensures superb off-road performance and optimum traction as standard with many of the engine variants in the new GLC. The all-wheel-drive system is constantly active and does not require any time to react and intervene. In this way it ensures unique directional and driving stability, especially on a slippery surface caused, for example, by rain, ice or snow.

GLC

Standard interior equipment

3-spoke multifunction sports steering wheel in black leather with black topstitching and two-piece bezel on the front in silver chrome

Air vents with external adapter tubes and front face of the louvres in high-gloss black, nozzle ring and rotary knob in silver chrome

ARTICO man-made leather upholstery

Door centre panels in black ARTICO man-made leather

Extended MBUX functions

Fabric roof liner in crystal grey, porcelain or black

Heated front seats

Horizontal trim element in the instrument panel in silver chrome, trim element in the centre console and in the doors in a high-gloss black piano-lacquer look

Instrument cluster with 2 circular instruments and 5.5" multifunction display

Instrument panel in black

Interior Light package

KEYLESS GO starting function

Live Traffic Information

Rain sensor

Reversing camera

Seat belts in black

Seat Comfort package

Sound system, comprising 4 midrange speakers and 1 woofer, each with an output of 25 W

Stowage Space package

Touchpad

Velour floor mats



GLC

Standard exterior equipment

18" light-alloy wheels in a 5-triple-spoke design

Chrome package, consisting of:

- 2 visible tailpipe trim elements integrated into the bumper
 - Beltline trim strips in polished aluminium
 - Polished aluminium roof railing, flush-fitted
 - Window weatherstrip in polished aluminium
 - Radiator trim with integral Mercedes star and two louvres in matt iridium silver with chrome inserts
 - Simulated underguard at front and rear in chrome
-

EASY-PACK tailgate

Heat-insulating dark-tinted glass

LED High Performance headlamps



GLC

Exclusive interior equipment

3-spoke multifunction sports steering wheel in black leather with black topstitching and two-piece bezel on the front in silver chrome

Air vents with outer adapter tubes in Nürburg silver, vent surround, rotary knob and front face of the louvres in silver chrome

ARTICO man-made leather upholstery

Door centre panels in ARTICO man-made leather in black with mid-grey topstitching

Extended MBUX functions

Fabric roof liner in crystal grey, porcelain or black

Heated front seats

Horizontal trim element in the instrument panel galvanised in silver chrome, high-gloss wood trim in the centre console and in the doors

Instrument cluster with 2 tube-shaped circular instruments, 5.5" multifunction display and surround in silver chrome

Instrument panel and door beltlines in ARTICO man-made leather in black

Interior Light package

KEYLESS GO starting function

Live Traffic Information

Rain sensor

Reversing camera

Seat Comfort package

Stowage Space package

Touchpad

Velour floor mats



GLC

OFF-ROAD exterior equipment

18" 5-spoke light-alloy wheels

Bottom part of front bumper chrome-plated in silver colour

EASY-PACK tailgate

Front bumper with greater angle of approach

Heat-insulating dark-tinted glass

LED High Performance headlamps

Louvre in the radiator grille with chrome-plated trim

Suspension with higher ground clearance



GLC

AMG Line interior equipment

3-spoke multifunction sports steering wheel in black nappa leather, with black topstitching, flattened bottom section, heavily embossed in the grip area, with Touch Control buttons and steering wheel bezel in galvanised silver chrome

Air vents with external adapter tubes and front face of the louvres in high-gloss black, nozzle ring and rotary knob in silver chrome

AMG brushed stainless steel sports pedals with black rubber studs

ARTICO man-made leather upholstery

Door centre panels in ARTICO man-made leather with special AMG Line contrasting topstitching

Extended MBUX functions

Floor mats in black with "AMG" lettering

Heated front seats

Horizontal trim element in the instrument panel in light longitudinal-grain aluminium

Instrument cluster with 2 tube-shaped circular instruments including 13.97 cm 5.5" multifunction display and surround in silver chrome

Interior Light package

KEYLESS GO starting function

Large trim element in a piano-lacquer look in the centre console

Live Traffic Information

Rain sensor

Reversing camera

Roof liner in black fabric

Seat Comfort package

Stowage Space package

Touchpad

Trim elements in the doors in light longitudinal-grain aluminium



GLC

AMG Line exterior equipment from* €4,556

19" AMG 5-twin-spoke light-alloy wheels

2 visible tailpipe trim elements integrated into the bumper

AMG bodystyling consisting of AMG front apron with sporty air intakes and chrome trim element, AMG diffuser-look rear apron with insert in black

Diamond radiator grille with pins in chrome with integrated Mercedes star and single louvre in matt iridium silver with chrome insert

EASY-PACK tailgate

Front cross-drilled brake discs with black "Mercedes-Benz" lettering

Heat-insulating dark-tinted glass

LED High Performance headlamps

Sports suspension with sports Direct Steer



GLC

Night Package* €262

19" 6-spoke light-alloy wheels, painted in black with a high-sheen finish
(with Standard exterior)

19" AMG 5-spoke light-alloy wheels painted in high-gloss black with a high-sheen finish (with AMG Line exterior)

Optional: 20" AMG 5-twin-spoke light-alloy wheels painted in high-gloss black with a high-sheen finish (with AMG Line exterior)

Optional: 20" AMG multi-spoke light-alloy wheels painted in high-gloss black with a high-sheen finish (with AMG Line exterior)

Beltline trim strip and window weatherstrip in high-gloss black

Exterior mirror housings painted in high-gloss black

Heat-insulating, dark-tinted glass in the rear from B-pillars

Radiator grille with 2 louvres in high-gloss black with chrome inserts
(with Standard exterior)

Radiator grille with diamond radiator grille with silver-coloured pins and louvre in high-gloss black (with AMG Line exterior)

Underguard at front and rear painted in black



GLC

Advantage package from* €3,923

10.25" Media display

Mirror package

Navigation Connectivity package

Parking package with reversing camera including front and rear parking sensors



GLC

Premium package from* €9,455 (Standard for PHEV)

10.25" Media display

12.3" All-digital instrument display

Advanced Sound System - 9 speakers, 225 watts

Ambient lighting

Mirror package

MULTIBEAM LED

Navigation Connectivity package

Parking package with reversing camera including front and rear parking sensors

Smartphone integration

Traffic Sign Assist

Wireless charging system for mobile devices



GLC

Premium Plus package from* €13,256

10.25" Media display

All-digital instrument display

Ambient lighting

Burmester® premium surround sound system - 13 speakers, 590 watts

KEYLESS-GO Comfort package

Mirror package

MULTIBEAM LED

Navigation Connectivity package

Panoramic sliding sunroof

Parking package with reversing camera including front and rear parking sensors

Smartphone integration

Traffic Sign Assist

Wireless charging system for mobile devices



GLC

Optional equipment

	From*
AIR BODY CONTROL	€3,300
All-digital instrument display (Requires Advantage package)	€1,519
Aluminium-look running boards with rubber studs	€953
Driving Assistance package	€4,251
Head-up Display	€2,006
Leather upholstery	€2,613
Metallic paint	€1,619
MULTIBEAM LED	€2,632
Multicontour Seat package	€791
Parking Package with 360 camera	€3,018
Parking package with reversing camera	€1,274
Smartphone integration (Standard for PHEV)	€709
THERMOTRONIC automatic climate control	€1,196
Trailer coupling with ESP® trailer stabilisation	€1,943
Wireless charging system for mobile devices	€405



*Optional equipment prices are subject to model selected.

Wheels

18" light-alloy wheels - 64R
- standard wheel for Base (standard)
but optional for OFF-Road exterior



18" 5-spoke light-alloy wheels
- R31 - standard wheel for OFF-Road
ext



18" 5-twin-spoke light-alloy
wheels - 97R - optional wheel for Base



19" multi-twin-spoke light-alloy
wheels - 15R - optional wheel for both
Base (standard) & OFF-Road ext



AMG Line wheels

19" AMG 5-twin-spoke light-alloy
wheels - RTF - AMG Line wheel



19" AMG 5-twin-spoke light-alloy
wheels - RTG - optional AMG
Line wheel



19" AMG 5-twin-spoke light-alloy
wheels - RZG - optional AMG Line
wheel



20" AMG 5 twin-spoke light-alloy
wheels - RTX - optional AMG Line
wheel



20" AMG multi-spoke light-alloy
wheels - 688 - optional AMG Line
wheel



Night package wheels

19" 6-spoke light-alloy wheels
- R18 - Night package wheel
(available with standard
exterior



20" AMG 5-twin-spoke
light-alloy wheels - RTW
- optional AMG Line wheel



Paintwork

Non-metallic paints

- 040 black
149 polar white
-

Metallic paints¹

- 197 obsidian black
775 iridium silver
831 graphite grey
859 mojave silver
890 cavansite blue metallic
970 Spectral Blue
992 selenite grey
-

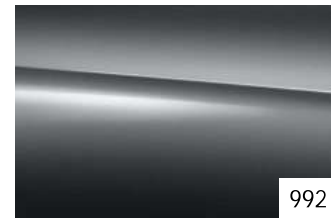
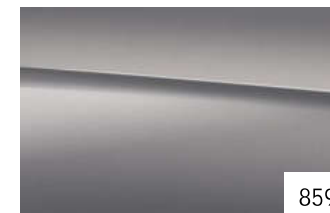
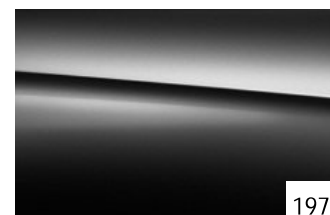
designo paints¹

- 297 designo selenite grey magno
799 designo diamond white bright
996 designo hyacinth red metallic
-

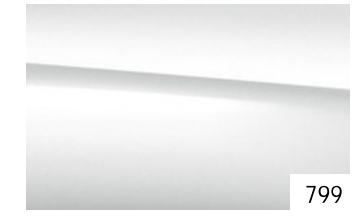
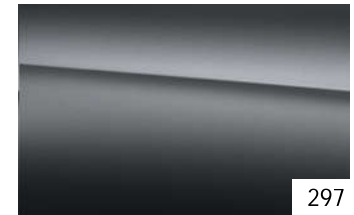
Non-metallic paints



Metallic paints



designo paints



¹ Optional extra.

Trims

Standard

Base Int.



H80 – black piano-lacquer look trim

Exclusive Int.



H07 – dark brown glossy linden wood trim

AMG Line Int.



739 – black piano lacquer w. aluminium

Optional (open for all lines)



H07 - dark brown glossy linden wood trim



H31 – open pore wood oak



H33 – open pore walnut wood



739+737 – centre console black ash wood, aluminium door inlays



736 – open pore black ash wood



H09 – open pore brown ash wood



H73 – Carbon aluminium

Upholstery - Standard Interior



101A – ARTICO Black

Dashboard
Seat
Carpet
Roofliner



Standard
No cost option



115A – ARTICO silk beige/black



Optional Extra
Chargeable item



128A – ARTICO magma grey



Optional Extra
Chargeable item



221A – LEATHER Black



Optional Extra
Chargeable item



235A – LEATHER silk beige/black



Optional Extra
Chargeable item



228A – LEATHER magma grey



Optional Extra
Chargeable item

Upholstery - Exclusive Interior



101A – ARTICO Black

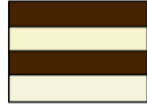
Dashboard
Seat
Carpet
Roofliner



Standard
No cost option



105A – ARTICO silk beige/espresso



Optional Extra
Chargeable item



128A – ARTICO magma grey



Optional Extra
Chargeable item



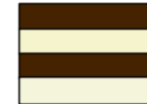
221A – LEATHER Black



Optional Extra
Chargeable item



225A – LEATHER silk beige/espresso



Optional Extra
Chargeable item

Upholstery - AMG Line

Standard



161A – ARTICO Black



631A -ARTICO man-made leather / DINAMICA microfibre - black



197A – ARTICO cranberry red/black



164A – ARTICO saddle brown

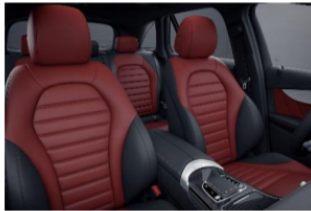
Dashboard
Seat
Carpet
Roofliner



Optional Extra



261A – LEATHER Black
Optional Extra
Chargeable item



297A – LEATHER cranberry red/black
Optional Extra
Chargeable item



264A – LEATHER saddle brown
Optional Extra
Chargeable item



Technical data.

Displacement (cc)
Rated output ¹ (kW [HP] at rpm)
Acceleration from 0 to 100 km/h (s)
Top speed (km/h)
Fuel consumption ⁴ (l/100 km)
Urban
Extra-urban
Combined
Combined CO ₂ emissions ⁴ (g/km)
Emissions class ⁵ /efficiency class ⁶

Petrol Engines

	300 4MATIC	63 S 4MATIC+
Displacement (cc)	1991	3982
Rated output ¹ (kW [HP] at rpm)	190 [258]/5800-6100	375 [510]/5500-6250
Acceleration from 0 to 100 km/h (s)	6.2	3.8
Top speed (km/h)	240 ³	280 ³
Fuel consumption ⁴ (l/100 km)		
Urban	9.6 - 8.9	16.8 - 17.0
Extra-urban	7.3 - 6.0	9.8 - 9.6
Combined	8.1 - 7.1	12.4 - 12.3
Combined CO ₂ emissions ⁴ (g/km)	186 - 162	283 - 280
Emissions class ⁵ /efficiency class ⁶	Euro 6d-TEMP-EVAP-ISC	Euro 6d-TEMP-EVAP-ISC

The best for the engine:
Mercedes-Benz genuine engine oils.

¹ Information about the rated output according to Regulation (EC) No. 715/2007 in the currently applicable version. ² Available temporarily. ³ Electronically limited. ⁴ The stated figures were determined according to the prescribed measurement method. They constitute the "NEDC CO₂ figures" pursuant to Art. 2 No. 1 Implementing Regulation (EU) 2017/1153. Fuel consumption figures have been calculated on this basis. More information about the official fuel consumption and the official specific CO₂ emissions of new passenger cars is available in the publication entitled "Leitfaden über den Kraftstoffverbrauch, die CO₂-Emissionen und den Stromverbrauch neuer Personenkraftwagen" ["Guidelines concerning the fuel consumption, CO₂ emissions and electricity consumption of new passenger cars"], available free of charge from all retailers and from Deutsche Automobil Treuhand GmbH (www.dat.de). The figures are not based on an individual vehicle and do not constitute part of the product offer; they are provided solely for purposes of comparison between different vehicle models. The figures will vary according to the optional equipment selected. ⁵ Information only valid within the European Union. May vary from country to country. ⁶ Determined on the basis of the measured CO₂ emissions, taking into consideration the vehicle mass. Only valid for Germany. For more technical data, please visit www.mercedes-benz.com

Technical data.

Displacement (cc)
Rated output ¹ (kW [HP] at rpm)
Acceleration from 0 to 100 km/h (s)
Top speed (km/h)
Fuel consumption ⁴ (l/100 km)
Urban
Extra-urban
Combined
Combined CO ₂ emissions ⁴ (g/km)
Emissions class ⁵ /efficiency class ⁶

Diesel engines

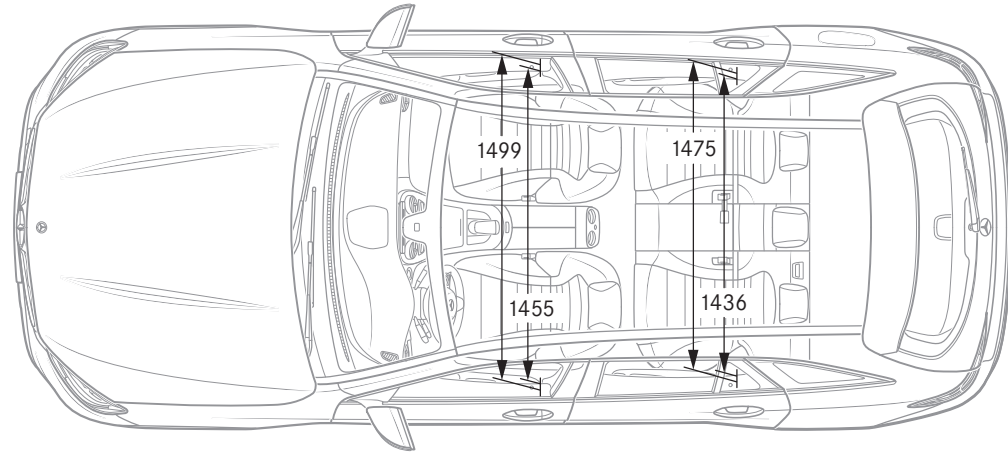
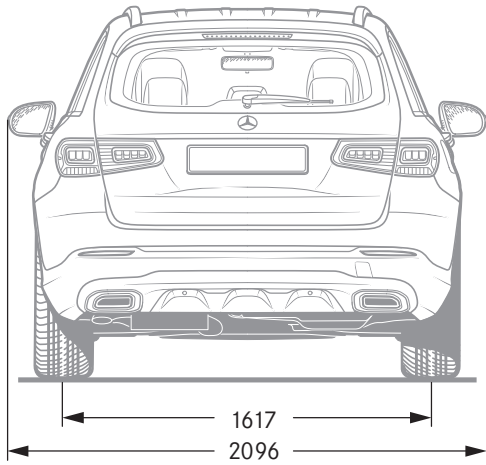
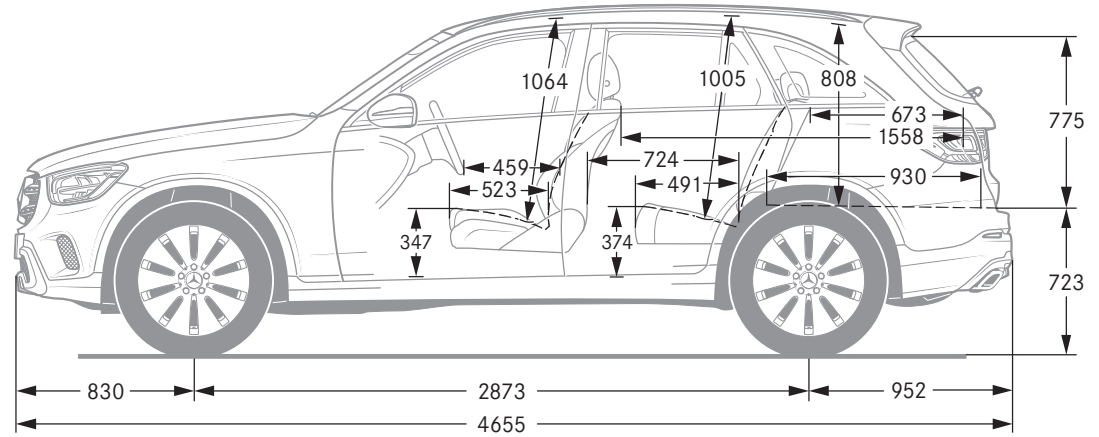
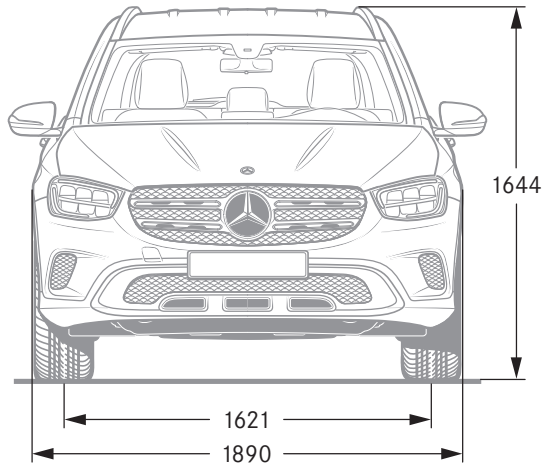
220 d 4MATIC	300 d 4MATIC	220 d
1950	1950	1950
143 [194]/3800	180 [245]/4200	143 [194]/3800
7.9	6.5	7.7
215 ³	231 ³	217 ³
6.5 - 5.9	7.0 - 7.0	6.3 - 6.1
5.7 - 4.9	5.3 - 5.0	4.8 - 4.5
6.0 - 5.2	5.9 - 5.7	5.3 - 5.1
158 - 137	157 - 151	140 - 134
Euro 6d ISC	Euro 6d ISC	Euro 6d ISC

The best for the engine:
Mercedes-Benz genuine engine oils.

¹ Figures for rated output in accordance with Regulation (EC) No. 715/2007 in the currently applicable version. ² Available for a brief period. ³ Electronically limited. ⁴ The figures shown were calculated according to the prescribed measuring method. They constitute the "NEDC CO₂ figures" pursuant to Article 2 No. 1 Implementing Regulation (EU) 2017/1153. Fuel consumption figures have been calculated on this basis. More information about the official fuel consumption and the official specific CO₂ emissions of new passenger cars is available in the publication entitled "Leitfaden über den Kraftstoffverbrauch, die CO₂-Emissionen und den Stromverbrauch neuer Personenkraftwagen" ["Guidelines concerning the fuel consumption, CO₂ emissions and electricity consumption of new passenger cars"], available free of charge at all retailers and from Deutsche Automobil Treuhand GmbH at www.dat.de. The figures are not based on an individual vehicle and do not constitute part of the product offer; they are provided solely for purposes of comparison between different vehicle models. The figures will vary according to the optional features selected.

⁵ Only valid within the European Union. Details may vary from country to country. ⁶ Calculated on the basis of the CO₂ emissions measured, taking into account the mass of the vehicle. Only valid for Germany. For more technical

Dimensions.



All figures in millimetres. The illustrated dimensions are mean values. They are valid for vehicles in basic specification and in unladen condition.

Mercedes me

Welcome to your Mercedes-Benz world.

Imagine if ...you could connect with your Mercedes-Benz? With Mercedes me connect, you can! Mercedes me connect offers you new connectivity services that make driving more comfortable and incorporates your car into your personal lifestyle.

Standard Services

- Maintenance Management
- Telediagnosics
- Breakdown Management
- Accident Recovery
- Mercedes-Benz Emergency Call System

Remote Online Services¹

- Remote Retrieval of Vehicle Status (fuel level, tyre pressure etc.)
- Parked Vehicle Locator
- Vehicle Tracker
- Geofencing
- Door lock / unlock function

¹ Can be used with Remote Online special feature.





Getting connected is easy. Just set up your Mercedes me account and get in touch with your Mercedes-Benz dealer to connect your vehicle to your profile to access your Mercedes me connect services.


Contact your dealer to get connected, or go to www.mercedes.me for more details.


Follow us on the following social media channels:


 facebook.com/MercedesBenzIreland

 instagram.com/mercedesbenz_ireland

 linkedin.com/company/motor-distributors-ltd

 twitter.com/MB_Ireland

 youtube.com/mercedesbenzireland

 pinterest.com/mercedesbenzire

Motor Distributors Ltd.
Naas Road
Dublin 12
Ireland
www.mercedes-benz.ie

Information correct at time of going to print. Prices and specifications are subject to change without prior notice. Prices quoted do not include dealer and delivery related charges. Images are for illustrative purposes only, actual product may vary. For more specific information in relation to the range of models, features, optional extras, colours and services available please speak to your local authorised Mercedes-Benz dealer.