

The S-Class Saloon



Price list as of 1st June 2021

Mercedes-Benz



Welcome

At Mercedes-Benz we appreciate the importance of detail. Over the following pages you'll find model prices and a breakdown of standard and optional equipment, as well as details of the attractive finance offers and benefits that are available to every Mercedes-Benz driver.

We have highlighted some of the best styling features both inside and out, some of the new technology features and some body styling options which all combine to give you a unique driving experience. To experience a full listing of what is available; please speak directly to your local Mercedes-Benz Dealer.

Of course, some things have to be experienced to be truly appreciated, such as the qualities that set a Mercedes-Benz apart, which is why we'd like to invite you for a test drive at your local Mercedes-Benz Dealership. Discover the location and the contact details of your local Mercedes-Benz Dealership at **www.mercedes-benz.ie**

Model Prices

Petrol

Model Description	Wheel size	CO2	VRT Rate	Road Tax	CC	BHP	Price*
S 450 4MATIC AMG Line	19"	171-190	31.00%	€600	2999	367	€135,650
S 500 4MATIC AMG Line	19"	171-190	31.00%	€600	2999	435	€144,010
S 450 LWB 4MATIC AMG Line	19"	171-190	31.00%	€600	2999	367	€138,760
S 500 LWB 4MATIC AMG Line	19"	171-190	31.00%	€600	2999	435	€148,380
S 580 LWB 4MATIC AMG Line	19"	191+	37.00%	€2,400	3982	503	€167,895

Diesel

Model Description	Wheel size	CO2	VRT Rate	Road Tax	CC	BHP	Price*
S 350 d A/T AMG Line	19"	171-190	31.00%	€600	2925	286	€123,875
S 350 d 4MATIC AMG Line	19"	171-190	31.00%	€600	2925	286	€127,945
S 400 d 4MATIC AMG Line	19"	171-190	31.00%	€600	2925	330	€135,215
S 350 d LWB A/T AMG Line	19"	171-190	31.00%	€600	2925	286	€126,500
S 350 d LWB 4MATIC AMG Line	19"	171-190	31.00%	€600	2925	286	€130,560
S 400 d LWB 4MATIC AMG Line	19"	171-190	31.00%	€600	2925	330	€138,195

*Prices applicable to all models registered from 01st June to 31st July 2021. Subject to availability. Terms & Conditions apply. Prices quoted do not include dealer and delivery related charges.

Star Finance PCP

You said you'd drive a Mercedes-Benz one day. One day is now with Star Finance PCP.

Speak to your dealer to discover just how easy it can be to upgrade from the ordinary to the extraordinary.

Our new Personal Contract Plan guarantees the minimum future value (GMFV) of your Mercedes-Benz.

Select your Mercedes-Benz model, pay your deposit and in 37 months either:

Trade-in for a brand new model

Acquire your model by paying the outstanding balance

Return the car and walk away (T&C's apply)

Mercedes-Benz S-Class Star Finance PCP Example

(includes delivery and a 3 year service plan)

Purchase Price†:	€125,375.00
Deposit/Trade in:	€37,612.50
Finance Amount:	€87,762.50
36 Monthly Payments of:	€1,521.32
GMFV ^{††} (Optional Final Payment)	€42,627.50
Term:	37 months
Total Cost of Credit:	€11,217.33
APR %*	4.9%

Terms and Conditions.


† Includes delivery & related charges. Model is shown for illustrative purposes only. †† The Guaranteed Minimum Future Value (GMFV) is payable if you renew or retain the vehicle at the end of the agreement. Further charges may be applied by your Mercedes Benz Dealer subject to kilometre limits/condition of the vehicle. *Lending criteria and conditions apply. Fixed APR (Annual Percentage Rate) 4.9% which is inclusive of a documentation fee of €63.49. To qualify for this Finance Offer; a minimum deposit of 10% is required. Rate quoted is correct as at 01st March 2021 and subject to change. Offer available on all new E-Class 200 d automatic Avantgarde models registered from 01st March to 31st March 2021 at authorised dealers. This is a Consumer Hire Purchase agreement provided by Bank of Ireland t/a Bank of Ireland Finance. CO2 range: 123 - 110 g/km and 4.7 - 4.2 l/100km.

Cares for what matters.

The new Mercedes-Benz S-Class Saloon stands for poised assurance and responsibility. A personality with a sense of awareness that is there for you at every level, working with you and thinking ahead, always with your wellbeing at heart. A partner that you can rely on and in which you can confidently put your trust. Get on board.





A silver car is partially visible on the right side of the frame, parked on a dark asphalt surface. The car is positioned next to a red and white striped curb. In the background, a large body of water stretches across the middle ground, with a suspension bridge spanning the distance. The bridge has a blue structure and white cables. On the far side of the water, there are buildings and a dock with several boats. The sky is clear and blue. The overall scene is a waterfront cityscape.

Modern aesthetics and generous luxury in ideal harmony.

Reduced to the essentials. The exterior design, the design idiom of sensual purity in its most contemporary form. In profile with perfect proportions, flush door handles and new wheels. The distinctive front section with pioneering DIGITAL LIGHT headlamps and the tail end with two-section lamps, emphasising the car's width.

An interior to inspire.

The new S-Class blends exquisite materials with fine surfaces and a progressive design. A showcasing of high-tech features and infotainment with intuitive operation. With the 64 colours of the active ambient lighting, exciting colour schemes are created which can alternate dynamically or illuminate areas in different colours.





D S OCT 2231

8



A dark-colored Mercedes-Benz sedan is shown from a rear three-quarter perspective, driving on a city street. The car is in motion, as indicated by the blurred background of a building with classical architectural features like columns and windows. The license plate is 'S CT 2232'. The Mercedes-Benz logo is visible on the trunk. The scene is lit with warm, golden light, suggesting late afternoon or early morning.

Always ready for you.

Extended intelligent safety systems such as the Driving Assistance Package offer maximum comfort and convenience, while also engendering added trust. The new headlamp technology DIGITAL LIGHT also points in this direction, while innovative airbags in the backrests of the front seats make travelling in the rear safer.





Wellness at the touch of a button.

The new S-Class can fulfil many wishes, meaning that you climb out more relaxed than when you climbed in. Look forward to the ENERGIZING Coach for individual wellness programs or discover the seat massages with multicontour seats. The top-quality sound to match always comes from the Burmester® high-end 4D surround sound system.





D S CT 2232



The Mercedes-Benz S-Class remains beyond compare.

The new Mercedes-Benz S-Class is on the road to the future with the ultimate in driving refinement. The expressive design, unique convenience and safety technologies, the pioneering digital cockpit with the infotainment system MBUX as well as luxurious materials enable a driving experience the like of which has never been seen before in a car.



Digital cockpit.

The combination of 3D cockpit display, MBUX head-up display with augmented reality in the front windscreen and the central OLED touch display represents an innovative and at the same time intuitive control concept. Thanks to the MBUX voice control the new S-Class can adapt to your requirements and support you.



Rear comfort highlights.

Inspiration and first-class feel-good comfort for the second row. Move the Executive seat with the leg rest into a pleasant position for sleeping. Relieve tension in the neck and shoulders with the heated cushion. Or relax as you work with the MBUX rear tablet, while also controlling the various comfort and entertainment functions.



Active ambient lighting.

You experience a technological leap here with the active ambient lighting. It combines aesthetics with innovative driver information and extended functions. Light strips and trim elements all the way round meld to form an additional level of lighting. This also supports driving assistance systems visually and thus emphasises the intelligence of your vehicle.



Augmented reality head-up display.

The MBUX augmented reality head-up display turns the windscreen into an extension of the digital cockpit. Transparent projections onto the windscreen augment the driver's field of vision with relevant information about the current driving situation. In this way the new S-Class is able to provide the driver with all key information, without them having to take their eyes off the road.



Automatic door handles.

Flush, automatically extending door handles in an elegant design are available upon request in conjunction with the electronic drive access authorisation system KEYLESS-GO. The doors can be locked and unlocked keylessly, by touching the door handles.



New rims.

The wheel range for the new S-Class Saloon includes high-quality light-alloy wheels in sizes 45.7 cm (18 inches) to 53.3 cm (21 inches), depending on the precise specification. The stylish sportiness of the vehicle is given additional emphasis with the modern wheel design, wide track and flush wheels.

Standard equipment and appointments.

Cutting-edge technology, a high level of comfort and exceptional luxury – this is what the Mercedes-Benz S-Class stands for. It already demonstrates this claim with its standard equipment. Examples include the Driving Assistance Package and MULTIBEAM LED. The interior is also fully in keeping with the vehicle's status, with leather seats, ambient lighting and MBUX infotainment.



The AMG Line.

With the AMG Line you are making a clear statement on dynamism, both inside and out. The AMG front apron in an A-wing design underscores the expressive character of your vehicle. In addition, the multifunction sports steering wheel in nappa leather with flattened bottom section, the AMG pedal assembly and AMG floor mats lend your interior sporty highlights.



The Night Package.

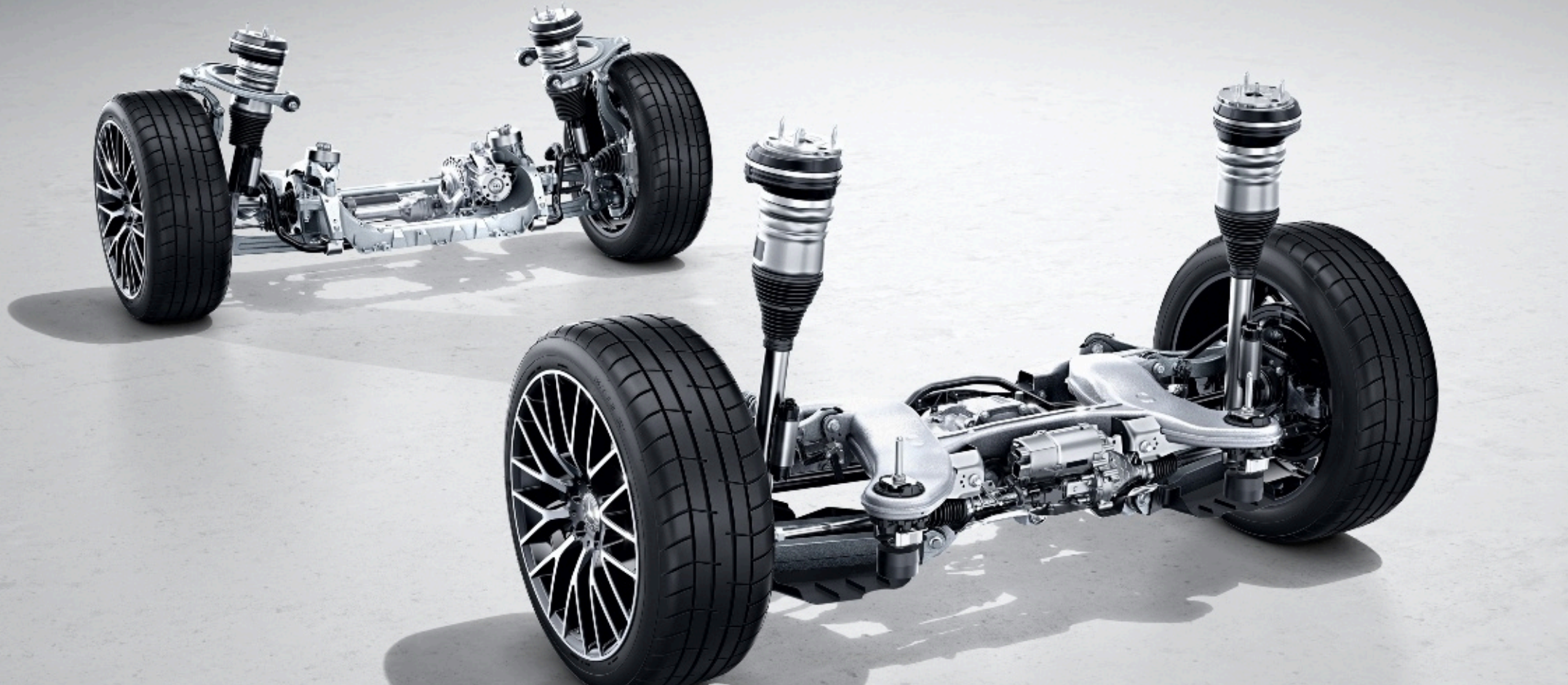
With the Night Package your sporty exterior looks even more expressive. As part of this, numerous elements are retained in high-gloss black. Depending on the paint finish, this creates contrasts or flowing transitions. In each case your vehicle gains individuality.



The Exclusive Package.

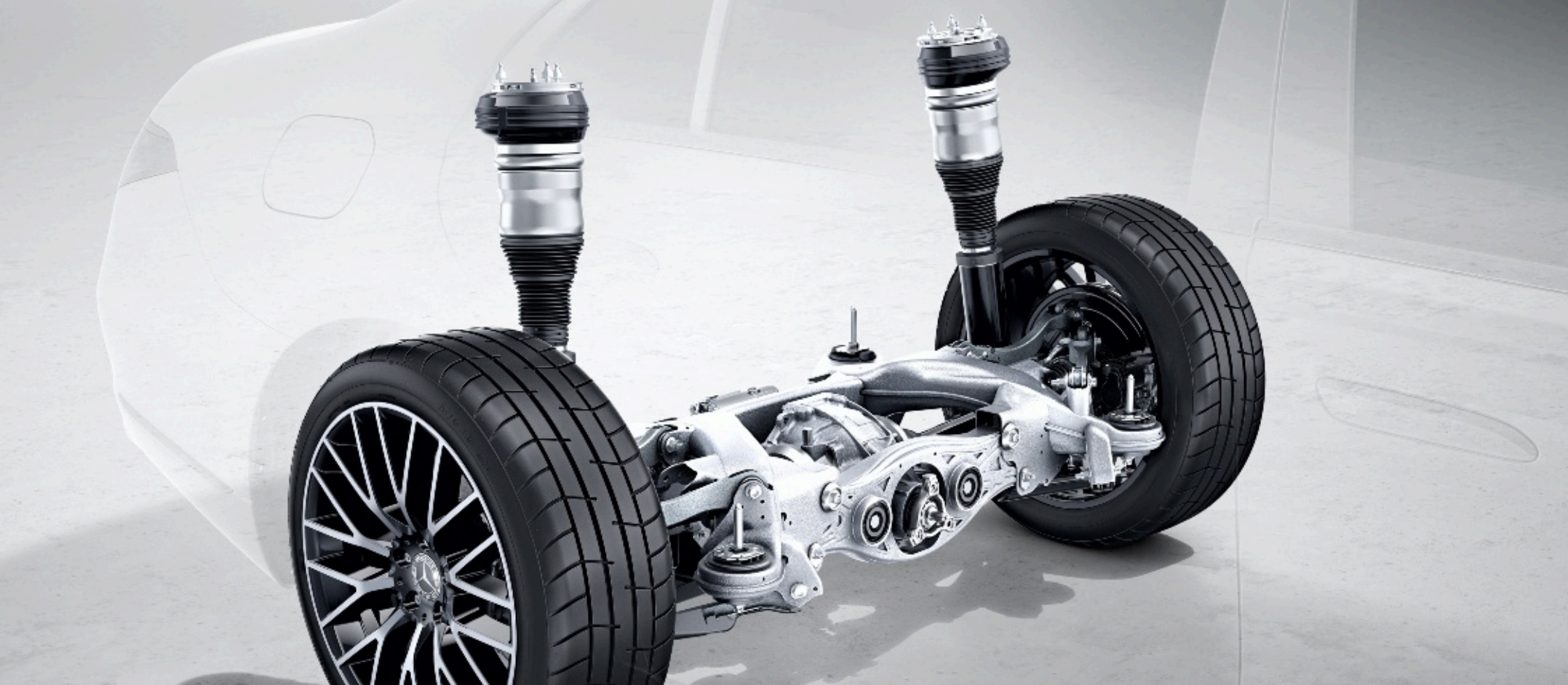
Enjoy a fantastic atmosphere with the Exclusive Package. Virtually all surfaces are finished in exquisite nappa leather, the roof liner in high-quality DINAMICA microfibre. This exceptional high-class appeal is perfectly complemented by additional trim elements.





AIRMATIC.

AIRMATIC combines the advantages of several suspensions in one – choose between comfort and dynamism. The set-up range is particularly impressive. The air suspension provides outstanding ride comfort even on difficult surfaces or during powerfully sporty performance. Practical: the level control system based on the vehicle load.



Rear axle steering.

You enjoy no fewer than three advantages with the rear axle steering: even more confident roadholding, considerably increased agility and, last but not least, better manoeuvrability – for example when parking. The rear wheels steer against or in the same direction as the front wheels depending on the driving speed.

S-Class Saloon

Rear package from *€6,262

- Belt feeders in the rear
- Designer belt buckles in front and rear
- Electrically-adjustable rear seats including memory function
- Sidebags in rear
- THERMOTRONIC quad-zone automatic climate control in the rear
- Wireless charging system for mobile devices in the rear



S-Class Saloon

Executive Rear package from *€15,941

- Adaptive rear compartment lighting
- Belt airbag
- Belt feeders in the rear
- Chauffeur Package - Chauffeur position for the front passenger seat allows more foot room in the rear through additional fore/aft adjustment (37 mm) and height adjustment (+ 40 mm), in addition backrest can be tilted forward by 23°.
- Climatised rear seats
- Designer belt buckles in front and rear
- EASY ADJUST luxury head restraints with additional cushions for driver and front passenger, folding on the front passenger side
- Electrically adjustable rear seats inc memory function
- MBUX Interior Assistant in the rear
- MBUX rear tablet
- Seat on front passenger side electrically adjustable from the rear
- Sun Protection Package featuring electric rear sunblinds
- THERMOTRONIC quad-zone automatic climate control in the rear
- Wireless charging system for mobile devices in the rear



S-Class Saloon

Advantage package from *€12,076

- 3D Driver Display
- Active Ambient Lighting
- Burmester Sound System
- Panoramic Sunroof
- Remote Parking Package
- Urban Guard Vehicle Protection Plus



S-Class Saloon

Premium package from *€24,304

- 3D Driver Display
- Active Ambient Lighting
- Active Multicontour Seat Package
- Burmester Sound System
- Digital Light
- Head-up Display inc Augmented Reality
- MBUX Interior Assistant (Front)
- Panoramic Sunroof
- Remote Parking Package
- Urban Guard Vehicle Protection Plus



S-Class Saloon

Premium Plus package from *€29,585

- 3D Driver Display
- Active Ambient Lighting
- Active Multicontour Seat Package
- Burmester Sound System
- Digital Light
- Energizing Comfort Package (Front)
- Head-up Display inc Augmented Reality
- MBUX Interior Assistant
- Panoramic Sunroof
- Remote Parking Package
- Urban Guard Vehicle Protection Plus



S-Class Saloon

Optional equipment *

Chauffeur package	€2,154
Digital Light	€4,197
Electrically-adjustable rear seats including memory function	€3,462
Exclusive Package	€11,989
Front ENERGIZING Comfort Package	€9,001
Head-up Display with Augmented Reality Navigation	€7,083
MBUX High-End Rear Seat Entertainment System	€6,639
Night Package	€798
Parking package with 360 camera and Memory Park assistant	€2,110
Rear Axle Steering up to 10° (4Matic Models only)	€2,886
Rear Axle Steering up to 4.5° (4Matic Models only)	€2,886
Rear ENERGIZING Comfort Package	€6,584
Rear Seat Comfort Package	€2,862

*Optional equipment prices are subject to model selected.

New S-Class AMG Line Wheels



RRG/RZI* – 19" AMG 5-spoke light-alloy wheels – **Optional / Standard**



RVU/RVQ* – 20" AMG multi-spoke alloy wheels
Optional



RVV/RVR* – 20" AMG multi-spoke alloy wheels
Optional



RWN* – 21" AMG 5-twin-spoke light-alloy wheels



RWK* – 21" AMG multi-spoke light-alloy wheels
Optional

Technical data.

	350d A/T SWB	S350d 4Matic SWB	S400d 4Matic SWB	S450 4Matic SWB	S500 4Matic SWB
Displacement (cc)	2925	2925	2925	2999	2999
Rated output (kW [hp] at rpm)	210 [286]/3.400 - 4.600	210 [286]/3.400 - 4.600	243 [330]/3.600 - 4.200	270 [367]/5.500 - 6.100	320 [435]/6.100 - 6.100
Acceleration from 0 to 100 km/h (s)	6.4 s	6.2 s	5.4 s	5.1 s	4.9 s
Fuel consumption (l/100 km)					
<i>Urban</i>	8.5-8.2 l/100 km	8.8-8.5 l/100 km	8.8-8.6 l/100 km	11.3-10.9 l/100 km	11.4-11.0 l/100 km
<i>Extra-urban</i>	5.5-5.0 l/100 km	5.7-5.0 l/100 km	5.8-5.1 l/100 km	6.6-5.9 l/100 km	6.6-6.0 l/100 km
<i>Combined</i>	6.7-6.2 l/100 km	6.8-6.3 l/100 km	6.9-6.4 l/100 km	8.3-7.8 l/100 km	8.4-7.8 l/100 km
Combined CO2 emissions (g/km)	176.0-163.0 g/km	180.0-166.0 g/km	183.0-169.0 g/km	191.0-178.0 g/km	192.0-178.0 g/km
Emissions class/efficiency class	B	B	B	C	B

	350d A/T LWB	S350d 4Matic LWB	S400d 4Matic LWB	S450 4Matic LWB	S500 4Matic LWB
Displacement (cc)	2925	2925	2925	2999	2999
Rated output (kW [hp] at rpm)	210 [286]/3.400 - 4.600	210 [286]/3.400 - 4.600	243 [330]/3.600 - 4.200	270 [367]/5.500 - 6.100	320 [435]/6.100 - 6.100
Acceleration from 0 to 100 km/h (s)	6.4 s	6.2 s	5.4 s	5.1 s	4.9 s
Fuel consumption (l/100 km)					
<i>Urban</i>	8.5-8.2 l/100 km	8.9-8.6 l/100 km	9.0-8.7 l/100 km	11.3-10.9 l/100 km	11.4-11.0 l/100 km
<i>Extra-urban</i>	5.6-5.0 l/100 km	5.8-5.1 l/100 km	5.9-5.2 l/100 km	6.6-6.0 l/100 km	6.7-6.0 l/100 km
<i>Combined</i>	6.7-6.2 l/100 km	6.9-6.4 l/100 km	7.0-6.5 l/100 km	8.4-7.8 l/100 km	8.4-7.8 l/100 km
Combined CO2 emissions (g/km)	176.0-163.0 g/km	183.0-168.0 g/km	186.0-171.0 g/km	191.0-178.0 g/km	192.0-179.0 g/km
Emissions class/efficiency class	B	B	B	C	B

The best for the engine:
Mercedes-Benz genuine engine oils.

¹ Information about the rated output according to Regulation (EC) No. 715/2007 in the currently valid version. ² Available temporarily. ³ Electronically governed. ⁴ The stated figures were determined according to the prescribed measurement method. They constitute the "NEDC CO₂ figures" pursuant to Article 2 No. 1 Implementing Regulation (EU) 2017/1153. Fuel consumption figures have been calculated on this basis. More information about the official fuel consumption and the official specific CO₂ emissions of new passenger cars is available in the publication entitled "Leitfaden über den Kraftstoffverbrauch, die CO₂-Emissionen und den Stromverbrauch neuer Personenkraftwagen" ["Guidelines concerning the fuel consumption, CO₂ emissions and electricity consumption of new passenger cars"], available free of charge at all retailers and from Deutsche Automobil Treuhand GmbH (www.dat.de). The figures are not based on an individual vehicle and do not constitute part of the product offer; they are provided solely for purposes of comparison between different vehicle models. The figures will vary according to the optional equipment selected. ⁵ Information only valid within the European Union. May vary from country to country. ⁶ Determined on the basis of the measured CO₂ emissions, taking into consideration the vehicle mass. Only valid for Germany. For more technical data, please visit www.mercedes-benz.com

S-Class Exterior colours



Onyx black – 346U
Metallic



Obsidian black – 197U
Metallic



Graphite grey – 831U
Metallic



Selenite grey – 992U
Metallic



Mojave silver – 859U
Metallic

S-Class Exterior colours



Anthracite blue – 998U
Metallic



Emerald green – 989U
Metallic



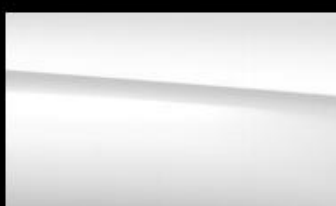
Rubellite red – 660U
Metallic



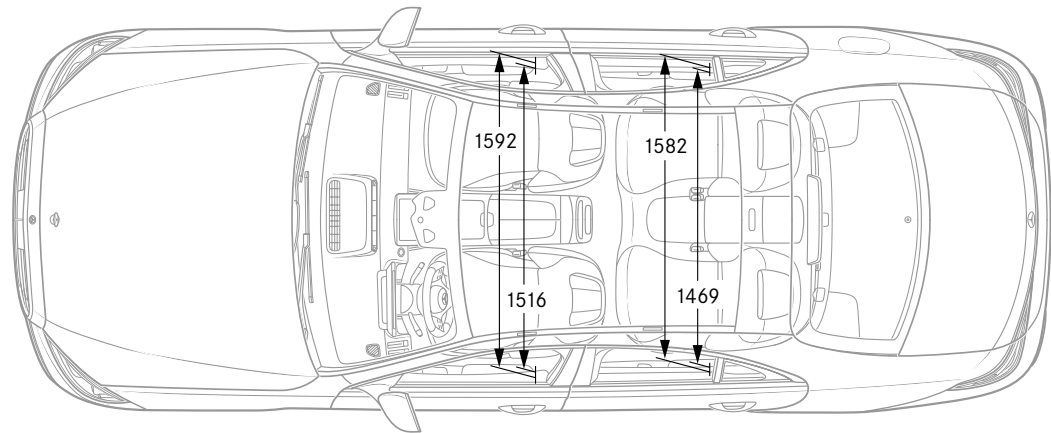
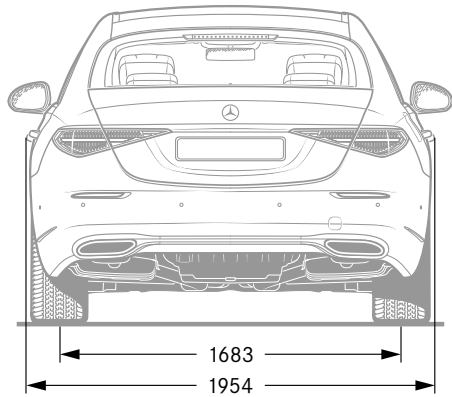
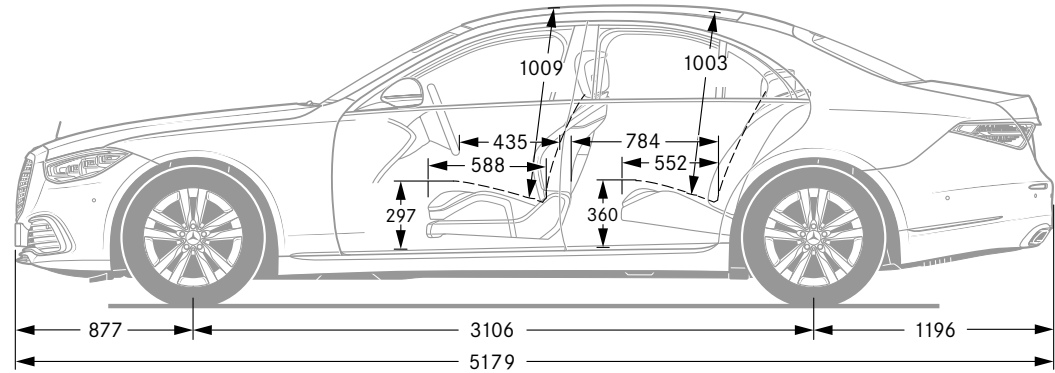
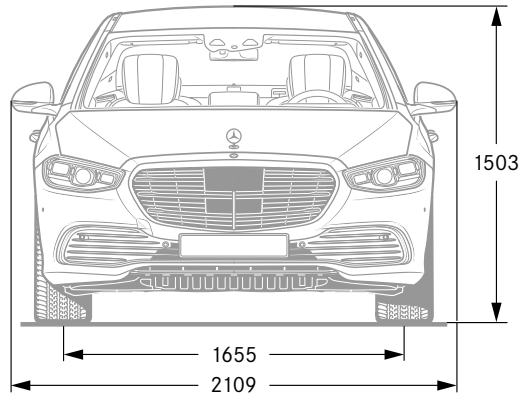
High-tech silver – 922U
Metallic



**Designo Diamond white
bright – 799U**



Dimensions.



All figures in millimetres. The pictured dimensions are mean values. They are valid for vehicles with standard equipment and in unladen condition.

Mercedes me

Welcome to your Mercedes-Benz world.

Imagine if ...you could connect with your Mercedes-Benz? With Mercedes me connect, you can! Mercedes me connect offers you new connectivity services that make driving more comfortable and incorporates your car into your personal lifestyle.

Standard Services

- Maintenance Management
- Telediagnosics
- Breakdown Management
- Accident Recovery
- Mercedes-Benz Emergency Call System

Remote Online Services¹

- Remote Retrieval of Vehicle Status (fuel level, tyre pressure etc.)
- Parked Vehicle Locator
- Vehicle Tracker
- Geofencing
- Door lock / unlock function


¹ Can be used with Remote Online special feature.




Getting connected is easy. Just set up your Mercedes me account and get in touch with your Mercedes-Benz dealer to connect your vehicle to your profile to access your Mercedes me connect services.

Contact your dealer to get connected, or go to www.mercedes.me for more details.

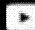
Follow us on the following social media channels:


 facebook.com/MercedesBenzIreland

 instagram.com/mercedesbenz_ireland

 [linkedin.com/company/motor distributors ltd](https://linkedin.com/company/motor-distributors-ltd)

 twitter.com/MB_IRELAND

 youtube.com/mercedesbenzireland

 pinterest.com/mercedesbenzire

Motor Distributors Ltd.
Naas Road
Dublin 12
Ireland
www.mercedes-benz.ie

Information correct at time of going to print. Prices and specifications are subject to change without prior notice. Prices quoted do not include dealer and delivery related charges. Images are for illustrative purposes only, actual product may vary. For more specific information in relation to the range of models, features, optional extras, colours and services available please speak to your local authorised Mercedes-Benz dealer.